



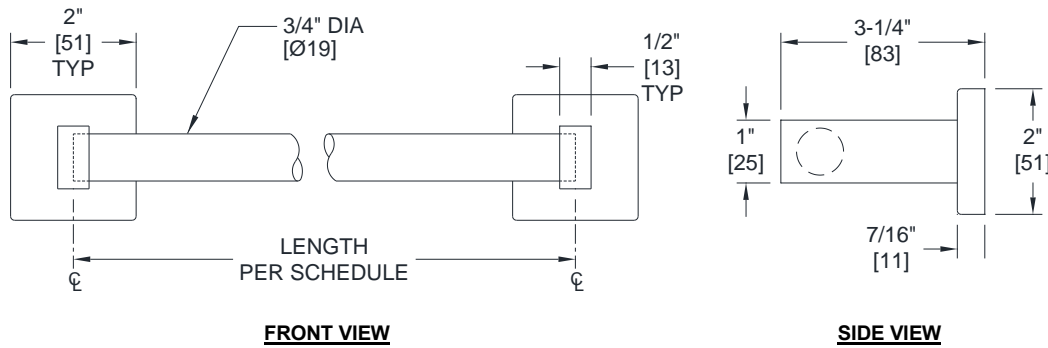
AMERICAN SPECIALTIES, INC.
 441 Saw Mill River Road, Yonkers, NY 10701
 (914) 476.9000 • (914) 476.0688
 www.americanspecialties.com

MODEL №: 7355

ISSUED: JAN 1987

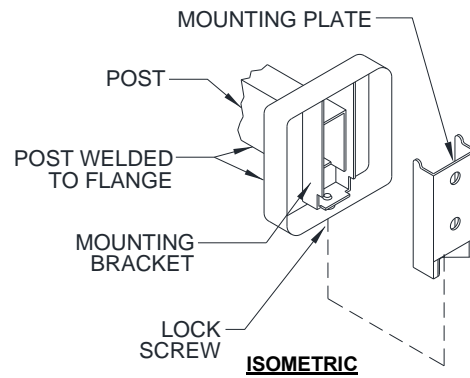
REVISED: 29 APR 2022

ROUND TOWEL BAR



NOTE

ALL DIM'S INCH [MM]
 ILLUSTRATION FOR REF ONLY AND NTS
 FOR CLEANING INSTRUCTIONS SEE APPROPRIATE
 SECTIONS IN PRODUCT CARE & MAINTENANCE
 BULLETIN (PCM) ON ASI WEBSITE



SPECIFICATION

Round Towel Bar shall be fabricated of type 304 stainless steel alloy 18-8. Shelf posts shall be 1/2" [13] x 1" [25] rectangular tubing with formed mounting flange and bracket welded on end. Bar shall be 26 gage, 3/4" Dia [Ø19] and shall be held in receiver holes in support posts. Mounting plates shall be included and shall be 18 gage. Stainless steel setscrews shall be provided on bottom perimeter of flanges to lock unit to mounting plates. Length shall be as chosen from schedule and indicated by code suffix. Surface finish shall be satin finish, bright finish or Powder Coated (PC) Matte Black finish as chosen by option and indicated by code suffix.

Round Towel Bar shall be Model № 7355-_____ (specify length and finish as per schedule below) of American Specialties, Inc., 441 Saw Mill River Road, Yonkers, NY 10701-4913

INSTALLATION

Surface mount unit on wall using № 10 self-threading flat, oval or pan head screws (by others) through holes provided in mounting plates into suitable prepared mountings (by others) or other suitable mounting hardware (by others) to suit wall conditions. Hang post and flange assemblies on mounting plates with bar captured and tighten setscrews to lock unit to plates. For compliance with 2010 ADA Accessibility Standards, 2015 ABA Standards and ANSI 117.1 Standards install unit with top of towel rod 48" [1219] Maximum Above Finished Floor.

LENGTH AND FINISH SCHEDULE			
LENGTH	MODEL №		
	Bright (Polished) Finish	Satin (Brushed) Finish	Matte Black (Powder Coated) Finish
18" [457]	7355-18B	7355-18S	NA
24" [610]	7355-24B	7355-24S	7355-24-41
30" [762]	7355-30B	7355-30S	NA