



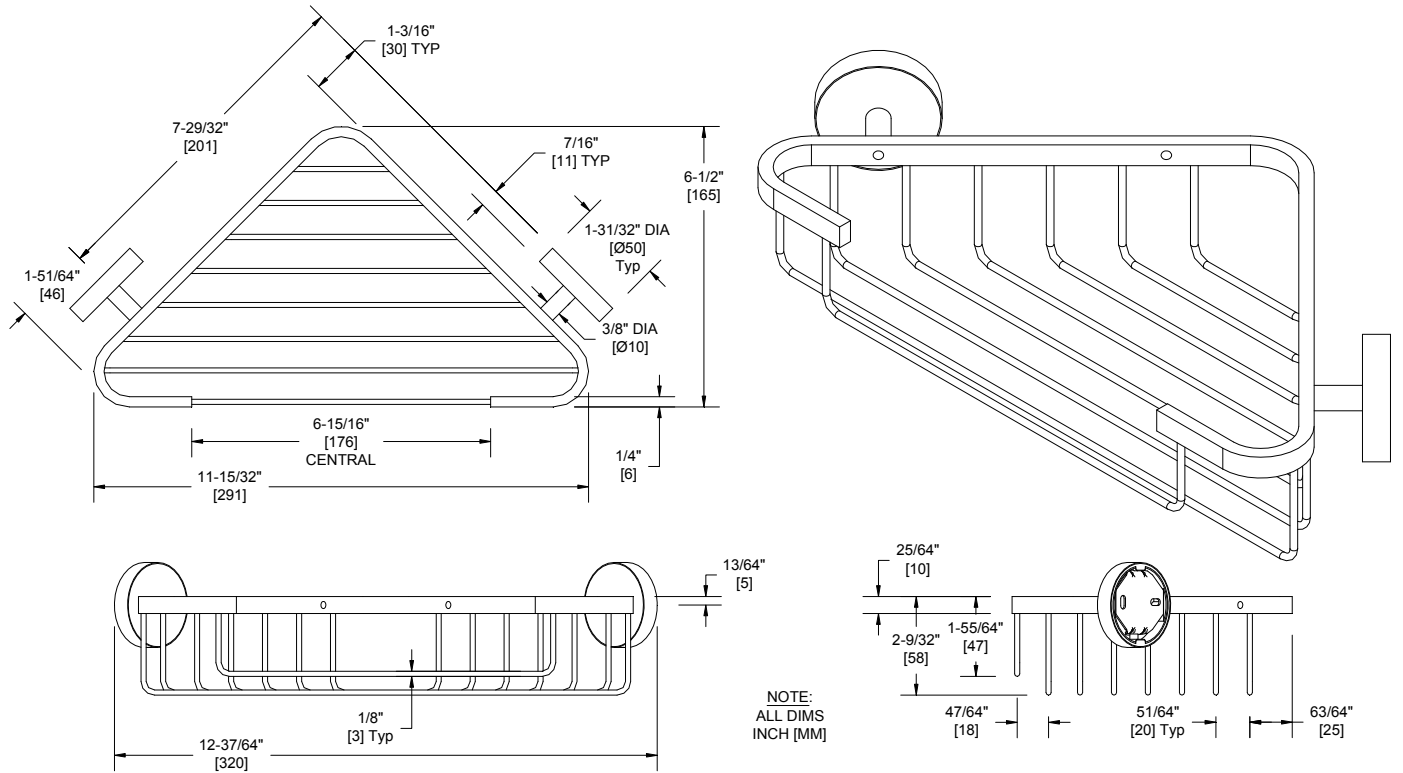
AMERICAN SPECIALTIES, INC.
 441 Saw Mill River Road, NY 10701
 (914) 476.9000 • (914) 476.0688
 www.americanspecialties.com

MODEL №: 7322

ISSUED: 01/14

REVISED:

SOAP BASKET



SPECIFICATION

Soap Basket shall be type 304 stainless steel alloy 18-8 of welded formed round wire construction and shall be fabricated with heavy gauge solid rectangular cross section formed bar top rim. Support posts shall be 3/8" diameter (Ø10) solid rod with polished cast mounting flange bolted on. Finish shall be satin on all visible surfaces. A stainless steel setscrew shall be provided on bottom perimeter of flanges to lock unit to mounting plates. Mounting plates provided shall be formed 19 gauge with integral ribs for rigid installation.

Soap Basket shall be Model № 7322 of American Specialties, Inc., 441 Saw Mill River Road, Yonkers, New York 10701-4913

INSTALLATION

Surface mount unit on wall using four (4) № 6 x 1-3/8" (M4x35) self tapping screws (supplied) through holes provided in mounting plates into anchors (supplied) in suitably prepared walls (by others) or other suitable mounting hardware (by others) to suit wall conditions. Waterproof screw penetrations through tiles in wet area installations. Hang basket post and flange assemblies on mounting plates and tighten setscrews to lock unit to plates with hex key provided. For compliance with 2010 ADA Accessibility Standards install unit with top of soap dish 48" (1219) maximum above finished floor (MAX AFF) if clear floor reach access is provided or 46" (1168) MAX AFF if side reach access over an obstruction (e.g. shower bench) with reach depth greater than 10" (254) and less than 25" (635) is only provided or 44" (1118) MAX AFF if forward reach over an obstruction with reach depth greater than 20" (508) and less than 25" (635) is only provided. For general utility mount unit with top rim of soap basket 55" to 65" (1397 to 1651) above shower floor.

OPERATION

Soap basket has open spaces between wires to allow excess water to drain away from soap and promote drying. Properly installed basket will support up to 10 lbs (4.5 kg) of bath products.