



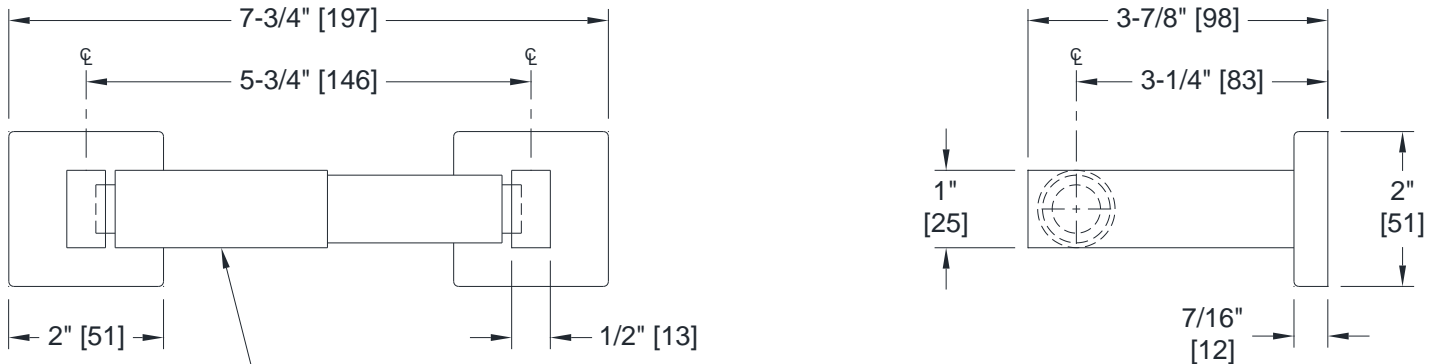
AMERICAN SPECIALTIES, INC.
 441 Saw Mill River Road, Yonkers, NY 10701
 (914) 476.9000 • (914) 476.0688
 www.americanspecialties.com

MODEL №: 7305

ISSUED: JAN 1987

REVISED: 29 APR 2022

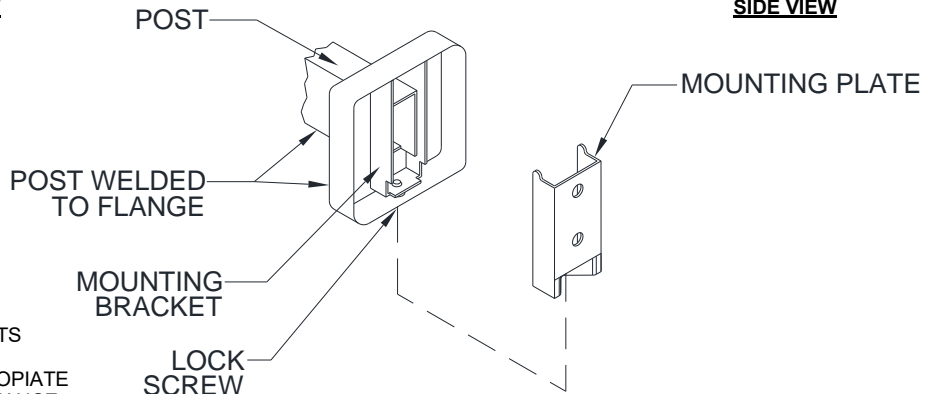
SURFACE MOUNTED SINGLE TOILET TISSUE HOLDER



CHROME PLATED ROLLER

FRONT VIEW

SIDE VIEW



ISOMETRIC

NOTE

ALL DIM'S INCH [MM]

ILLUSTRATION FOR REF ONLY AND NTS

FOR CLEANING INSTRUCTIONS SEE APPROPRIATE SECTIONS IN PRODUCT CARE & MAINTENANCE BULLETIN (PCM) ON ASI WEBSITE

SPECIFICATION

Surface Mounted Single Toilet Paper Holder unit shall hold and dispense one roll of standard core roll tissue up to 5-1/2" Dia [Ø140]. Unit shall be fabricated of stainless steel alloy 18-8, type 304. Posts shall be fabricated of 1/2" [13] x 1" [25] rectangular tubing. Stainless steel setscrews shall be provided on bottom perimeter of flanges to lock unit to mounting plates. Mounting plates shall be included and shall be 18 gage. Roller shall be chrome-plated high-impact resistant ABS plastic. All exposed surfaces shall be satin finish, bright finish or Powder Coated (PC) Matte Black finish as chosen by option and indicated by code suffix.

Surface Mounted Single Toilet Paper Holder shall be Model № 7305-__ (add -S for Satin Finish, -B for Bright Finish or -41 for PC Matte Black Finish) of American Specialties, Inc., 441 Saw Mill River Road, Yonkers, NY 10701-4913

INSTALLATION

Surface mount unit on wall using № 10 self-threading flat, oval or pan head screws (by others) through holes provided in mounting plates into suitable prepared mountings (by others) or other suitable mounting hardware (by others) to suit wall conditions. Hang post and flange assemblies on mounting plates and tighten setscrews to lock units to plates. For compliance with 2010 ADA Accessibility Standards, 2015 ABA Standards and ANSI 117.1 Standards install unit so that center line of dispenser is 7" [178] min to 9" [229] Max in front of toilet and dispenser center is 15" [381] Min AFF to 48" [1219] Max AFF.

OPERATION

Spring-loaded spindle revolves freely and holds roll until core is removed.