



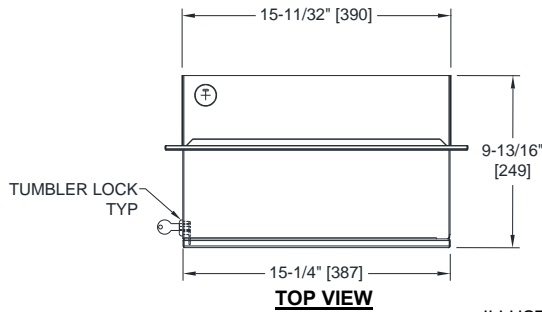
**AMERICAN SPECIALTIES, INC.**  
 441 Saw Mill River Road, Yonkers, NY 10701  
 (914) 476.9000 • (914) 476.0688  
 www.americanspecialties.com

**MODEL №: 68523A-4**

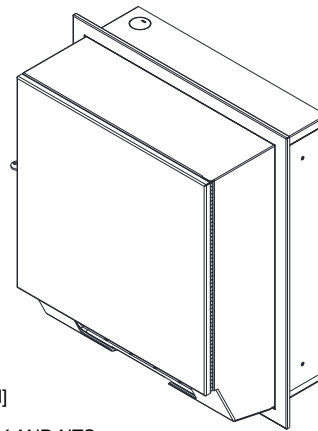
**ISSUED: FEB 2017**

**REVISED: 8 JUL 2021**

**SEMI-RECESSED AUTOMATIC ROLL PAPER TOWEL DISPENSER (Pg 1 of 2)**



**TOP VIEW**



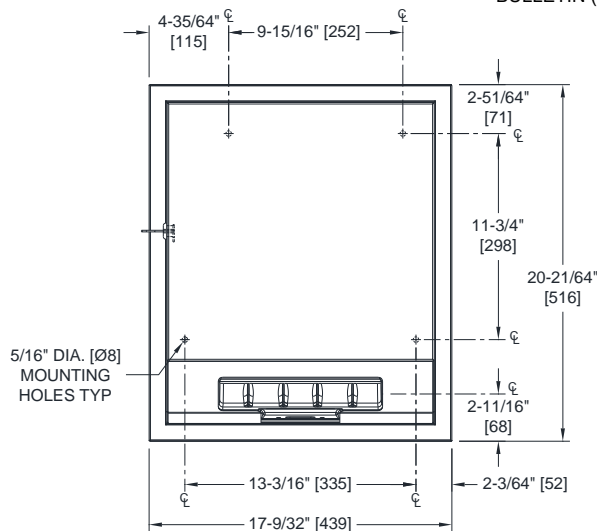
**ISOMETRIC**

**NOTE**

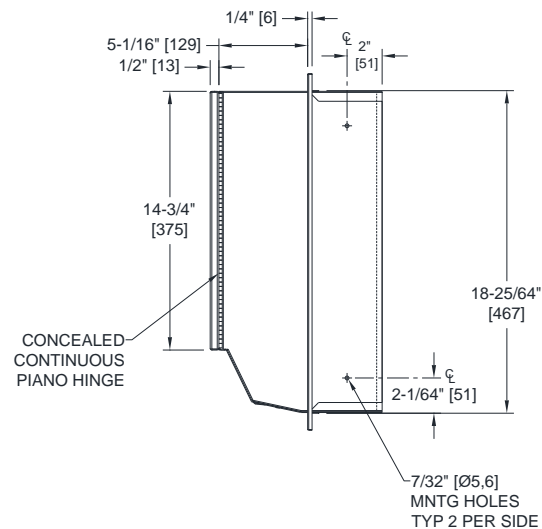
ALL DIM'S INCH [MM]

ILLUSTRATION FOR REF ONLY AND NTS

FOR CLEANING INSTRUCTIONS SEE APPROPRIATE SECTIONS IN PRODUCT CARE & MAINTENANCE BULLETIN (PCM) ON ASI WEBSITE



**FRONT VIEW**



**SIDE VIEW**

**SPECIFICATION**

Semi-Recessed Automatic Roll Paper Towel Dispenser shall hold and dispense one 8" wide [203] x 8" Dia. [Ø203] standard towel roll up to 800 ft. (244m) long and one 8" wide [203] stub roll up to 4" Dia. [Ø102]. Automatic Touchless Roll Towel Dispenser shall be powered by four (4) D-size batteries (not supplied) and operate automatically to activate towel dispensing when hands are placed in sensor zone from 1/2" [13] below sensor to 4-1/2" [114] below sensor. Unit shall feed out a length of towel during each activation selected by owner by setting length, delay and paper saver switches. Unit shall have an internal towel cut-off bar. Cabinet sides shall be 22 gage type 304 stainless steel alloy 18-8. Cabinet back and towel apron shall be 18 gage same grade. Towel dispenser door shall be 18 gage same grade and shall have a full return and formed sill at bottom edge for user safety. All exposed surfaces shall have satin finish protected by PVC film easily removed after installation. Door shall be attached to cabinet at side with a full-length 3/16" Dia. [Ø4,8] stainless steel multi-staked piano hinge and shall be held closed with a tumbler lock keyed alike to other ASI washroom equipment. Structural assembly of all components shall be of welded construction. Cabinet shall have no exposed fastening devices or spot-welded seams.

**Semi-Recessed Automatic Roll Paper Towel Dispenser shall be Model № 68523A-4 as manufactured by American Specialties, Inc., 441 Saw Mill River Road, Yonkers, NY 10701-4913**



**AMERICAN SPECIALTIES, INC.**  
441 Saw Mill River Road, Yonkers, NY 10701  
(914) 476.9000 • (914) 476.0688  
www.americanspecialties.com

**MODEL №:** 68523A-4

**ISSUED:** FEB 2017

**REVISED:** 8 JUL 2021

## **SEMI-RECESSED AUTOMATIC ROLL PAPER TOWEL DISPENSER (Pg 2 of 2)**

### **INSTALLATION**

Provide in-wall reinforcement (by others) in rough wall opening (RWO) to secure unit after wall is finished. Provide appropriate anchors (by others) to suit wall and field conditions for installation onto walls other than new drywall. Install unit in wall using № 10 or 1/4" (M5 or M6) x 1-1/2" [38] self-threading pan head or flat head screws (by others) or other suitable fasteners (by others) through concealed mounting holes provided in sides behind frame or in rear wall of cabinet. Towel mechanism 8375 is supplied installed. For compliance with ANSI A-117.1 and 2010 ADA Accessibility Standards install unit so that top edge of towel dispenser opening is 48" [1219] Maximum Above Finished Floor (Max AFF) only if clear floor reach access is provided. Be advised that local codes may require mounting so that top of towel dispenser opening is 40" [1016] Max AFF (e.g. California UBC/Title 24). For general utility, install unit with top of towel dispenser opening between 49" [1245] and 56" [1422] AFF.

**RWO required is 15-1/2" [394] W x 19" [483] H x 4-1/8" [105] D Min**

### **OPERATION**

Towels are dispensed one length at a time automatically when hands are placed in sensor zone until supply is depleted. Owner predetermines length of towel dispensed by making selections on three (3) three (3)-position switches for length, delay, and economy. Unit may be reloaded with a full roll to automatically start when finished with an existing partial roll and will continue to feed properly when reloaded with a full roll and partial roll is transferred to stub roll position. Refill dispenser by unlocking door and replacing towel roll for an empty or partially empty unit. Dispenser supply is replenished and batteries are replaced manually on cycles determined by maintenance needs. Locking door prevents unauthorized access and roll or battery removal.