



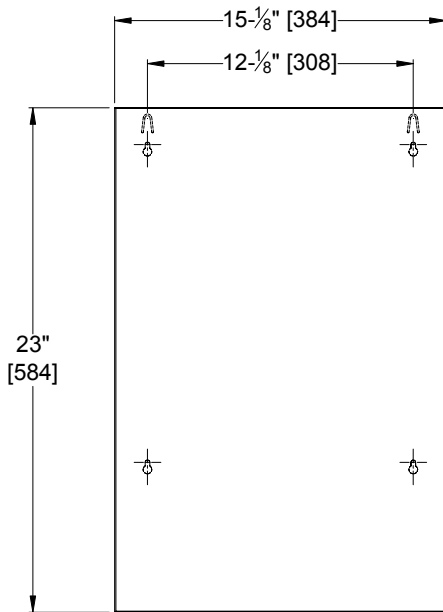
AMERICAN SPECIALTIES, INC.
 441 Saw Mill River Road, NY 10701
 (914) 476.9000 • (914) 476.0688
 www.americanspecialties.com

MODEL №: 20826

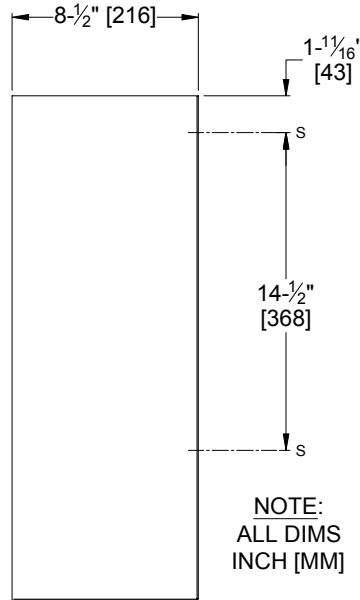
ISSUED: 09/09

REVISED: 01/10

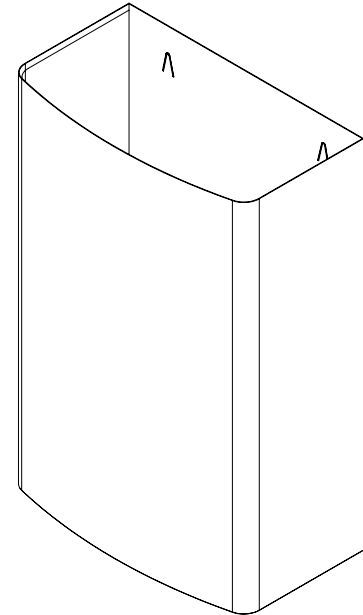
ROVAL™ SURFACE MOUNTED WASTE RECEPTACLE



FRONT VIEW



SIDE VIEW



NOTE:
 ALL DIMS
 INCH [MM]

SPECIFICATION

Royal™ Collection Surface Mounted Waste Receptacle shall hold 12.8 gallons (48.4 liters) of waste material. Receptacle body shall be formed seamless and shall have bowed front face and gently radiused front vertical edges to provide added strength and complimentary appearance for modern washroom aesthetics. Unit body shall be 20 gauge type 304 stainless steel alloy 18-8 with satin finish and be protected during shipment with PVC film that is easily removable after installation. Receptacle full top edge is hemmed with return to inside for user and service safety. Receptacle shall have four (4) interior hooks for hanging a reusable heavy gauge vinyl liner bag with grommets (by others) and shall have no exposed fastening devices or spot-welded seams. Receptacle shall be screw mounted to wall through keyhole slots with concealed heavy gauge type 304 stainless steel reinforcement straps.

Royal™ Collection Surface Mounted Waste Receptacle shall be Model № 20826 of American Specialties, Inc., 441 Saw Mill River Road, Yonkers, New York 10701-4913

INSTALLATION

For general utility mount the receptacle 28" to 40" (711 to 1016) above finished floor (AFF) from top of unit. Hang unit on wall with four (4) pre-installed screws (by others) through the mounting keyhole slots provided into suitable wall reinforcements (by others).

OPERATION

User deposits waste material. Maintenance schedule determines trash removal cycle. Unload unit by removing either the disposable bag or reusable liner bag (both by others) to empty into appropriate bulk collection container.