



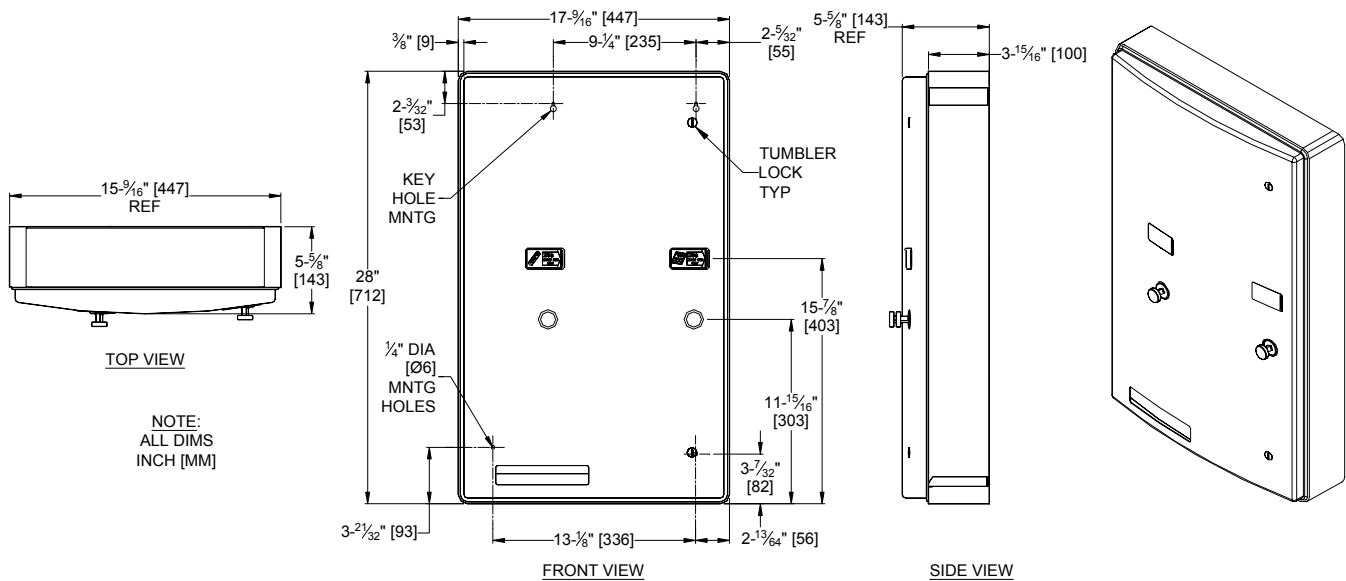
AMERICAN SPECIALTIES, INC.
 441 Saw Mill River Road, NY 10701
 (914) 476.9000 • (914) 476.0688
 www.americanspecialties.com

MODEL №: 204684-9

ISSUED: 09/09

REVISED:

ROVAL™ SURFACED MOUNTED DUAL SANITARY NAPKIN & TAMPON DISPENSER FOR ADAAG (1 OF 2)



SPECIFICATION

Roval™ Collection Surface Mounted Dual Sanitary Napkin & Tampon Dispenser shall hold 31 napkins and 22 tampons of specified sizes. Cabinet full door shall be drawn seamless and shall have bowed front face and gently radiused edges to provide added strength and complimentary appearance for modern washroom aesthetics. Full face door shall be 18 gauge stainless steel type 304 alloy 18-8, shall be attached to cabinet with a full length 9/64" diameter (Ø3.5) stainless steel multi-staked piano hinge, shall have a stainless steel cable door-swing limiter, shall be held closed with two (2) flush rimless tumbler locks keyed alike to other ASI washroom equipment and two (2) keys shall be provided. Cabinet shall be 20 gauge same grade stainless steel. SM collar shall be 22 gauge type 304 stainless steel alloy 18-8. All exposed surfaces shall have a satin finish and shall be protected during shipment with PVC film easily removable after installation. Internal coin-boxes shall be keyed differently than door locks and two (2) keys shall be provided. Dispensing mechanisms shall block coin slots when product dispense tracks are empty, shall be fastener mounted internally and shall be changeable for coinage denomination without requiring additional parts. Mechanisms shall have flanged pull knobs for ADAAG and ICC/ANSI A-117.1 compliance to provide operation with a force less than 5lbs (22.2N) requiring only one (1) hand and with no tight grasping, pinching or twisting of the wrist required. Structural assembly of body and door components shall be of welded construction and shall have no exposed fasteners or welded seams. A weight shall be supplied for each feed track to ensure even product dispensing. Factory installed coin operation denomination shall be 25¢ or 50¢ or FREE as chosen by owner option at time of PO. International graphic symbols and text legend on metal gate plates identify dispense product available and required coin denomination at each pull knob. Available changeover kit denominations are 25¢ or 50¢ or FREE and coin denomination labels and gate plates are changeable by owner after installation. Owner's Manual is supplied with each unit in carton. Unit shall be supplied with collar for surface mounting.

Roval™ Collection Surface Mounted Dual Sanitary Napkin & Tampon Dispenser shall be Model № 204684-9 of American Specialties, Inc., 441 Saw Mill River Road, Yonkers, New York 10701-4913

Accessory Specialties

AMERICAN DISPENSER

Desert Ray Products

WATROUS, INC.

THIS MANUFACTURER RESERVES THE RIGHT TO MAKE CHANGES IN DESIGN OR DIMENSIONS WITHOUT FORMAL NOTICE



AMERICAN SPECIALTIES, INC.
 441 Saw Mill River Road, NY 10701
 (914) 476.9000 • (914) 476.0688
 www.americanspecialties.com

MODEL №: 204684-9

ISSUED: 09/09

REVISED:

ROVAL™ RECESSED DUAL SANITARY NAPKIN & TAMPON DISPENSER FOR ADAAG (2 OF 2)

INSTALLATION

Mount unit on wall using four (4) № 10 x 1" (M5 x 25) self-tapping pan head screws (by others). For compliance with ADA Accessibility Guidelines install unit so that coin slots are 48" (1219) maximum above finished floor (MAX AFF). Be aware that some local codes (e.g. California, CBC) may require CSH to be 40" (1016) MAX AFF. Note that coin slot centerline is 15-7/8" (403) above bottom edge of unit.

OPERATION

Deposit of specified coin allows operation of dispenser. Napkin and tampon dispensers operate independently. Selected product drops into vending opening after operator actuation. Indicator displays empty condition and blocks coin slot when product is depleted. Vendor product supply is replenished on cycle determined by maintenance needs by opening door and manually reloading product into dispenser supply tracks. Track weights **MUST BE USED** to provide positive feed. Coins are emptied from locked collection boxes on a cycle determined by owner needs and requires key different than door key.

NAPKINS: SINGLES, CARDBOARD-BOXED, SEMIGLOSS FINISH; CAPACITY: 31
BOX SIZE: 4-1/4" x 3" x 1-1/8" (108 x 76 x 29)

Stayfree	№ 4
Guards	№ 247 or № 147
Kotex	№ s 704, 707, 07010, 07040, 07045, 07300, 07320
Pure-Nat	№ M-4
Modess	№ 4

TAMPONS: CYLINDER, CARDBOARD, SEMIGLOSS, CRIMPED ENDS; CAPACITY: 22
TUBE SIZE: 3/4" diameter x 5-1/4" long (Ø19 x 134)

Tampax	
Modess Tampons	