



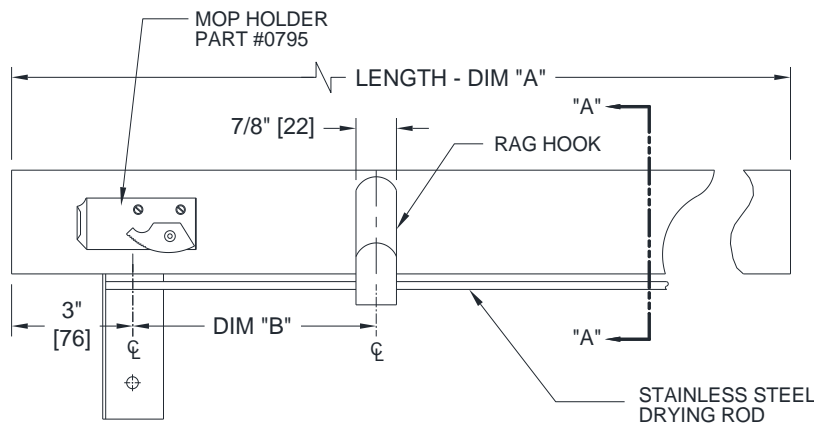
AMERICAN SPECIALTIES, INC.
 441 Saw Mill River Road, Yonkers, NY 10701
 (914) 476.9000 • (914) 476.0688
 www.americanspecialties.com

MODEL №: 1315

ISSUED: 01-87

REVISED: 10 APR 2019

UTILITY SHELF WITH MOP HOLDERS, DRYING ROD AND RAG HOOKS

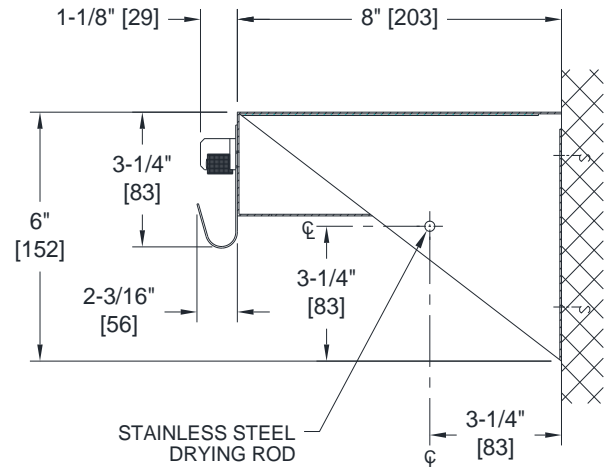


PARTIAL FRONT VIEW

NOTE:

ALL DIM'S INCH [MM]

ILLUSTRATION FOR REF ONLY AND NTS



SECTION "A-A"

SCHEDULE

Model №	Length "A"	Spacing "B"	Mop Holder Quantity	Rag Hook Quantity
1315-3	30" [762]	6" [152]	3	2
1315-4	36" [914]	5" [127]	4	3
1315-6	48" [1219]	4-3/16" [106]	6	5

SPECIFICATION

Utility Shelf with Mop Holders, Drying Rod and Rag Hooks shall be fabricated of 18 gauge type 304 stainless steel alloy 18-8. Utility shelf shall have 2-1/2" [65] wide hemmed-in edge all around and length shall be as per schedule below. Rubber-cam mop-holders shall be provided at the face of shelf in quantity listed in schedule below. Mop holder brackets shall be fabricated of cadmium plated steel and shall be ribbed for rigidity. Each mop holder shall have a pivoting spring loaded serrated rubber cam that shall hold round handles of 7/8" to 1-1/4" diameter [Ø22 to Ø32] wedged against ribbed clamp plate. A 3/8" diameter [Ø10] stainless steel drying rod shall be provided to run between the mounting bracket gussets. Mounting brackets shall be 16 gauge. All exposed surfaces shall be satin finish and be protected during shipment with a PVC film easily removable after installation. Number of mop holders and length of unit shall be as specified in standard schedule.

Utility Shelf with Mop Holders, Drying Rod and Rag Hooks shall be Model № 1315-____ (-3, -4 or -6) fabricated by American Specialties, Inc., 441 Saw Mill River Road Yonkers, New York 10701-4913

INSTALLATION

Unit is surface mounted on wall or partition having clear wall space to floor using № 10 pan head self-threading screws into suitable wall anchors or other prepared blocking (all by others). For general utility, mount rack 72" [1829] above finished floor (AFF) from top of shelf with № 10 pan head self-threading screws (by others) through holes provided in gusset brackets. For compliance with 2010 ADA Accessibility Standards, install unit so that top of rack is 54" [1372] maximum AFF if clear floor side reach access is provided or 48" [1219] maximum AFF if clear floor forward reach access is provided.

OPERATION

Mop or broom handle is pushed into grip-jaw of pivoting serrated rubber cam with upward motion until it seats behind rib on clamp plate. Spring holds cam against handle. Gravity holds mop clamped in position. General dry janitorial supplies may be stored on shelf. Wet or dry cleaning rags may be hung on hooks as required. Wet cloth items may be hung on drying rod to drip into floor basin (by others).