

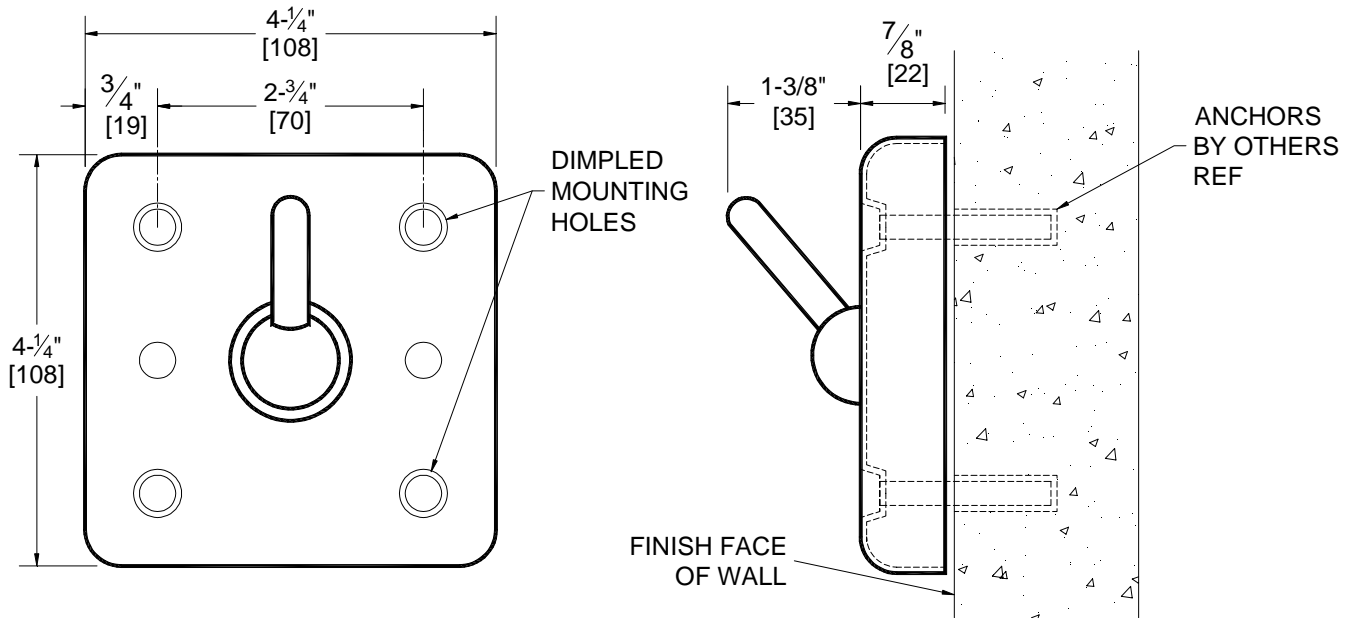


# AMERICAN SPECIALTIES, INC.

441 Saw Mill River Road, Yonkers, NY 10701 (914) 476-9000  
www.americanspecialties.com

MODEL No:	123
ISSUED:	01-87
REVISED:	01-08

## SECURITY CLOTHES HOOK - FRONT MOUNTED



ELEVATION

NOTE: DIM'S ARE IN INCH [MM]

SIDE VIEW

### SPECIFICATION

Front Mounted Security Clothes Hook Shall be fabricated of type 304 stainless steel alloy 18-8. Hook shall be solid bar 3/8" diameter (Ø10) of one-piece construction with 1" diameter (Ø25) swivel trip-ball and wall plate shall be 14 gauge. Wall plate shall have four (4) dimpled mounting holes for 1/4-20 flat head pin-Torx® machine screws (supplied). Safety hook shall snap down when load exceeds 35 lb (16 kg) limit. Trip-ball socket housing shall prevent hook from being set in vertical-up position. All exposed surfaces shall have N<sup>o</sup>4 satin finish.

**Front Mounted Security Clothes Hook shall be Model N<sup>o</sup> 123 of American Specialties Inc., 441 Saw Mill River Road, Yonkers, New York 10701-4913**

### INSTALLATION

Unit is front mounted to wall or partition using four (4) 1/4-20 x 2" (M6 x 50) flat head pin-Torx® machine screws (supplied) into suitable anchors (by others) or alternate wall preparation (by others). Anchors to be supplied by installer to suit wall condition. For compliance with ADA Accessibility Guidelines, install unit so the centerline of the hook is 48" (1219) maximum above finished floor (MAX AFF).

### OPERATION

Clothes hook is tensioned to release down when overloaded beyond the 35 lb (16 kg) limit.

Accessory Specialties

AMERICAN DISPENSER

Desert Ray Products

WATROUS INC.

THIS MANUFACTURER RESERVES THE RIGHT TO MAKE CHANGES IN DESIGN OR DIMENSIONS WITHOUT FORMAL NOTICE