



AMERICAN SPECIALTIES, INC.

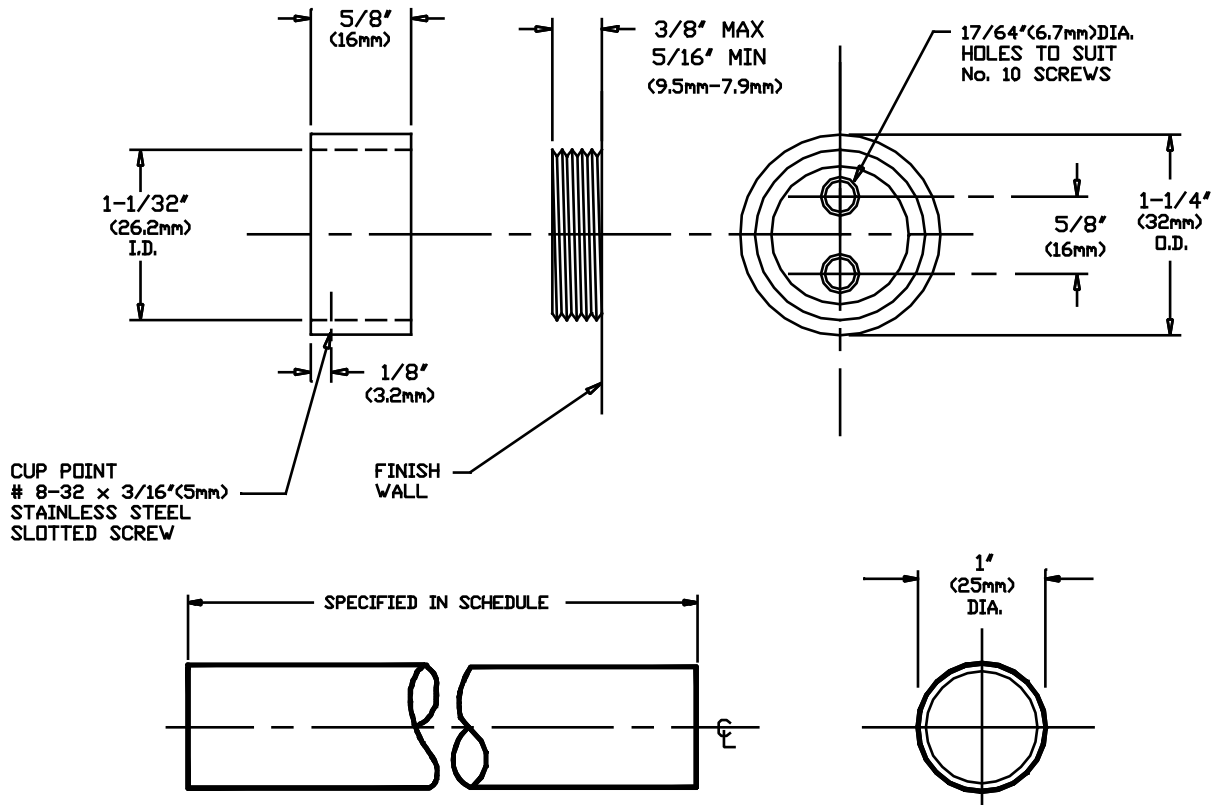
441 Saw Mill River Road, Yonkers, NY 10701 (914) 476-9000

MODEL No: 1224

ISSUED: 1-87

REVISED: 3-99

SHOWER CURTAIN ROD WITH CONCEALED MOUNTING FLANGES



SPECIFICATION

Shower Curtain Rod with Concealed Mounting Flanges shall have rod fabricated of alloy 18-8 stainless steel, type 304, №20 gauge 1" dia. tubing. Exposed finish shall be satin and shall be protected during shipment with a plastic bag. Length shall be as specified. Concealed Mounting Flanges shall be chrome plated brass with a satin finish. Pair of flanges shall each consist of a wall mounting lug and a locking sleeve. One sleeve shall have locking screw to prevent rod rotation. Mounting lugs shall be provided with (2) mounting holes to accept #10 round or pan head screws (furnished by others).

Shower Curtain Rod with Concealed Mounting Flanges shall be Model № 1224-XXX as fabricated by American Specialties, Inc., 441 Saw Mill River Road, Yonkers, New York 10701-4913

ORDERING NOTE

Select length in inches (i.e. 48, 60, 120) to create Part Spec Order Number (i.e. 1224-60).

INSTALLATION

Rod is installed in straight section between two (2) mounting flanges. Rods longer than 72" (1829mm) require ceiling hanger Model №1224-C18. For use with standard shower curtain model №'s 1200 or 1200-V having 72" (1829mm) length and standard hooks Model №1200-SHU unit should be installed with rod centerline 74-1/2" (1892mm) AFF or 67" (1702mm) above tub rim to obtain 6" (152mm) bottom overlap.

Accessory Specialties

AMERICAN DISPENSER

Desert Ray Products

WATROUS INC.

THIS MANUFACTURER RESERVES THE RIGHT TO MAKE CHANGES IN DESIGN OR DIMENSIONS WITHOUT FORMAL NOTICE