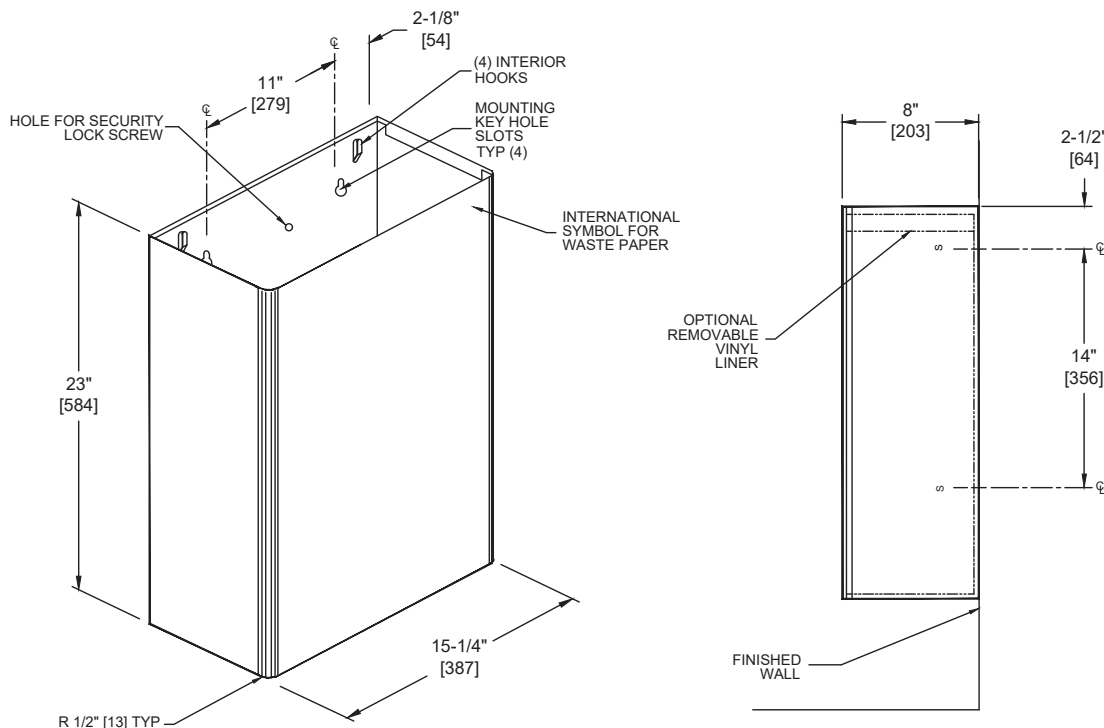


Waste Receptacle (12 gal.) – Surface Mounted

Waste Receptacles

MasterFormat Section 10 28 13



Scan for Information



SUSTAINABILITY/LEED

MR 4.1 (1) MR 6 (1) EQ 4.2 (1)
MR 4.2 (1) EQ 4.1 (1) EQ 4.4 (1)

NOTE:
ALL DIM'S INCH [MM]
ILLUSTRATION FOR REF ONLY AND NTS

PRODUCT OVERVIEW

Receptacle holds 12 gallons [45.4 liters] of waste. Receptacle has four (4) interior hooks for hanging a reusable heavy gauge vinyl liner bag with grommets. Receptacle is screw mounted to wall through keyhole slots on back of unit and shall be theft resistant after installation of concealed locking screw. Unit is emptied by removing either disposable bag (supplied by others) or reusable liner bag (available separately) to empty into appropriate bulk collection container. Unit shall be 22 gauge type 304 stainless steel alloy 18-8 with satin finish and be protected during shipment with a PVC film easily removable after installation.

KEY FEATURES & SPECIFICATIONS

- Has interior hooks for hanging a reusable bag (sold separately)
- Type 304 Stainless Steel - Satin Finish
- Screw Mounted to Wall
- Surface Mounted
- 12.0 Gal. (45.4 L) Waste Capacity



Model #0826

Technical Data Sheet

OPERATION & MAINTENANCE

User deposits waste material. Maintenance schedule determines trash removal cycle. Unit is emptied by removing collection liner bag to empty into appropriate bulk collection container.

TECHNICAL INFORMATION / PRODUCT PROPERTIES

Property	Value
Dimensions	15-1/4" [387] W x 23" [584] H x 8" [203] D
Construction	Type 304 Stainless Steel - Satin Finish
Mounting	Screw Mounted to Wall
Capacity	12.0 Gal. (45.4 L) Waste Capacity

INSTALLATION

For general utility, mount the receptacle 16" [406] Above Finished Floor (AFF) from bottom of unit. For compliance with 2010 ADA Accessibility Standards, install unit with top edge no higher than 48" [1219] Above Finished Floor (AFF). Hang unit on pre-installed four (4) screws (by others) on wall through the mounting 'key hole' slots. Install and fasten theft-resistant screw (by others) to wall through top middle hole of receptacle.

OPTIONS

N/A

WARRANTY

One (1) Year from date of Invoice