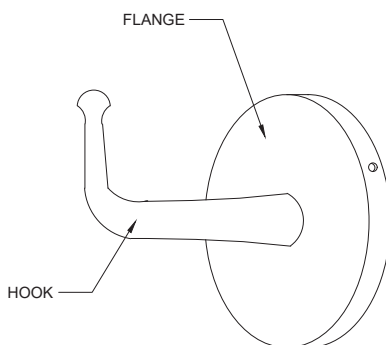
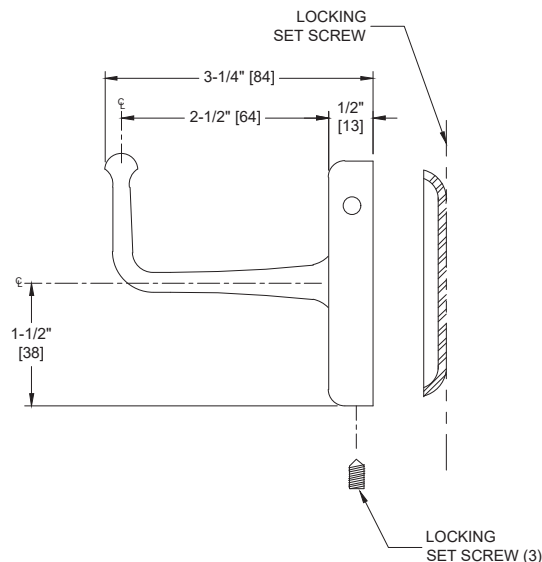
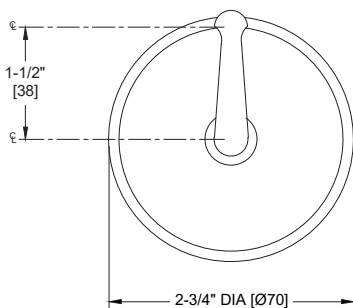


**Robe Hook (Heavy-Duty) – Surface Mounted (Concealed), Satin Chrome Plated Brass**

Specialty Accessories

MasterFormat Section 10 28 13



**NOTE:**  
ALL DIM'S INCH [MM]  
ILLUSTRATION FOR REF ONLY AND NTS

Scan for Information



**SUSTAINABILITY/LEED**

**PRODUCT OVERVIEW**

Fabricated of brass with a chrome finish. Concealed mounting. Three (3) 1/4-28 cone point stainless steel hex socket set screws provided evenly spaced around perimeter of flange for securing to wall bracket. Hook is capable of supporting over 181 lbs [82 kg] when properly attached to building element.

**KEY FEATURES & SPECIFICATIONS**

- Heavy Duty Chrome Plated Brass - Chrome Finish
- Surface Mounted



**Model #0751**  
**Technical Data Sheet**

**OPERATION & MAINTENANCE**

Washroom accessory products require regular surface cleaning, much the same as stainless steel sinks, pots and pans, and eating utensils. As long as a regular cleaning schedule is followed, the best method is cleaning with a soft clean rag moistened with a mild detergent, followed by a water-moistened clean rag and then a dry rag.

**TECHNICAL INFORMATION / PRODUCT PROPERTIES**

Property	Value
Dimensions	2-3/4" [70] x 2-3/4" [70] x 3-1/4" [83] Projection
Construction	Heavy Duty Chrome Plated Brass - Satin Finish
Mounting	Surface Mounted
Capacity	Hook is capable of supporting over 300 lbs (136.1 kg) when properly attached to building element.

**INSTALLATION**

Wall bracket is surface mounted using #10 self-threading pan head screws (provided by others to suit wall conditions) in a manner capable of supporting 181 lbs (82 kg) of downward force. Ensure that mounting configuration complies with local building codes. Secure hook to bracket by tightening three (3) hex socket set screws on perimeter of flange with a 1/8" hex wrench. For compliance with 2010 ADA Accessibility Standards install the hook center-line 48" [1219] maximum Above Finished Floor (AFF).

**ADDITIONAL INFORMATION**

N/A

**WARRANTY**

One (1) Year from date of Invoice