



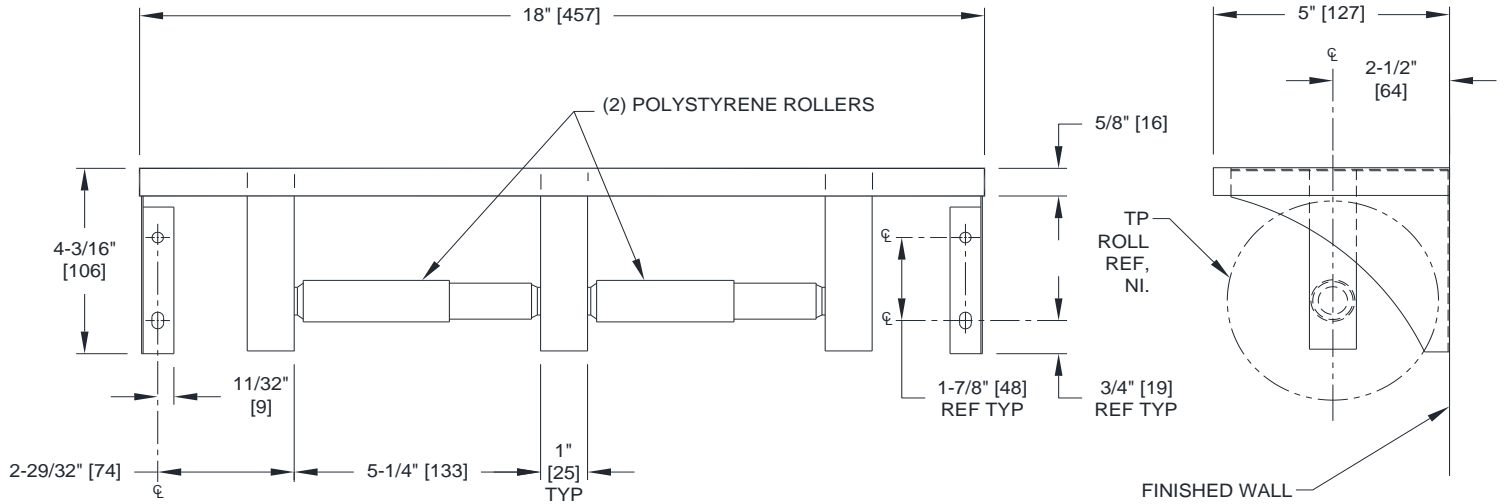
AMERICAN SPECIALTIES, INC.
 441 Saw Mill River Road, Yonkers, NY 10701
 (914) 476.9000 • (914) 476.0688
 www.americanspecialties.com

MODEL №: 0697-GAL

ISSUED: 01-87

REVISED: 18 JUL 2019

SURFACE MOUNTED SHELF AND DUAL TOILET PAPER HOLDER



ELEVATION

NOTE

ALL DIM'S INCH [MM]

SIDE VIEW

ILLUSTRATION FOR REF ONLY AND NTS

FOR CLEANING INSTRUCTIONS SEE APPROPRIATE SECTIONS IN PRODUCT CARE & MAINTENANCE BULLETIN (PCM) ON ASI WEBSITE

SPECIFICATION

Surface Mounted Shelf & Dual Toilet Paper Holder shall hold two (2) 5" Dia [127] rolls of 1500 sheets or standard toilet paper rolls and shall have 5" [127] x 18" [457] shelf with 5/8" [16] hemmed lip on front edge. All metal parts shall be 18 gage [1,3] 304 stainless steel alloy 18-8. All exposed surfaces shall have satin finish and shall be protected during shipping by a PVC film easily removed after installation. Structural assembly of shelf and brackets/roll supports shall be of welded construction. Rollers (p/n R-003) shall be molded of high impact-resistant polystyrene plastic and two (2) shall be supplied.

Surface Mounted Shelf & Dual Toilet Paper Holder shall be Model № 0697-GAL as manufactured by American Specialties, 441 Saw Mill River Road, Inc., Yonkers, NY 10701-4913

INSTALLATION

Unit is surface mounted on wall or partition using №10 self-threading screws (by others) through holes provided in support brackets. For compliance with 2010 ADA accessibility Standards and 2015 ABA Standards, install unit so that centerline of nearest roll holder is 7" [178] min to 9" max [229] from front of toilet and axis of rolls is 15" [381] min AFF (Above Finished Floor) to 23" [584] max AFF. Recommended mounting height for general utility is 32" [813] to 36" [914] AFF.

OPERATION

Toilet paper rolls are self-feeding on user-pull demand until supply is depleted. Rollers are spring loaded for retention and provide free delivery.