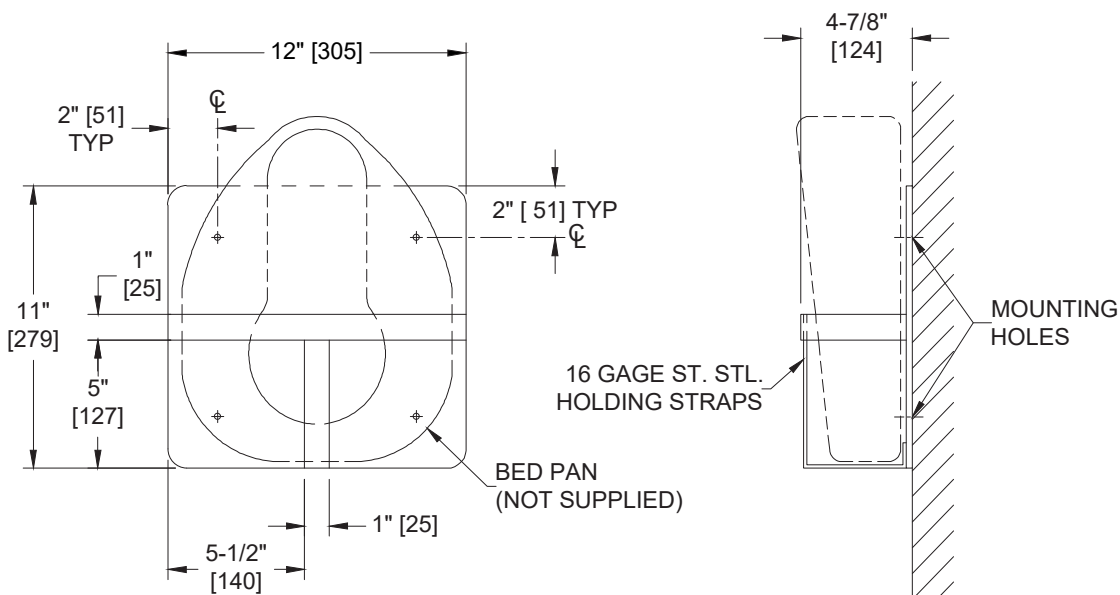
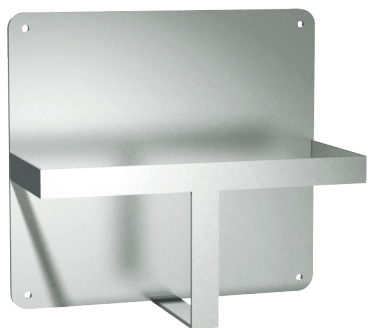


**Bed Pan Holder (Single) – Surface Mounted**

Healthcare Accessories

MasterFormat Section 10 28 13



BED PAN  
(NOT SUPPLIED)

16 GAGE ST. STL.  
HOLDING STRAPS

MOUNTING HOLES

Scan for Information



**SUSTAINABILITY/LEED**

MR 4.1 (1) MR 6 (1) EQ 4.2 (1)  
MR 4.2 (1) EQ 4.1 (1) EQ 4.4 (1)

**NOTE:**  
ALL DIM'S INCH [MM]  
ILLUSTRATION FOR REF ONLY AND NTS  
PHYSICAL SAMPLES SHOULD BE PROVIDED TO CHECK FOR PROPER FIT

**PRODUCT OVERVIEW**

Holds one (1) conventional bedpan (by others, of types indicated on shop fabrication drawings). Bedpan is stored vertically in the rack and held in place by a T-strap. Physical bed pan (by others, not included) is required to check for proper fit.

**KEY FEATURES & SPECIFICATIONS**

- Bed Pan Holder (Single)
- Type 304 Stainless Steel, Alloy 18-8 back plate 18 gauge straps 16 gauge - Satin Finish
- Heavy duty stainless steel multi-staked 3/16" diameter [Ø5]
- Surface Mounted



**Model #0557**  
Technical Data Sheet

### **OPERATION & MAINTENANCE**

Bedpan is stored vertically in the rack and held in place by a T-strap.

### **TECHNICAL INFORMATION / PRODUCT PROPERTIES**

<b>Property</b>	<b>Value</b>
Dimensions	12" [305] W x 11" [279] H x 4-7/8" [124] D
Construction	Type 304 Stainless Steel - Satin Finish
Mounting	Surface Mounted
Capacity	Holds one (1) conventional type bedpan.

### **INSTALLATION**

### **WARRANTY**

One (1) Year from date of Invoice