



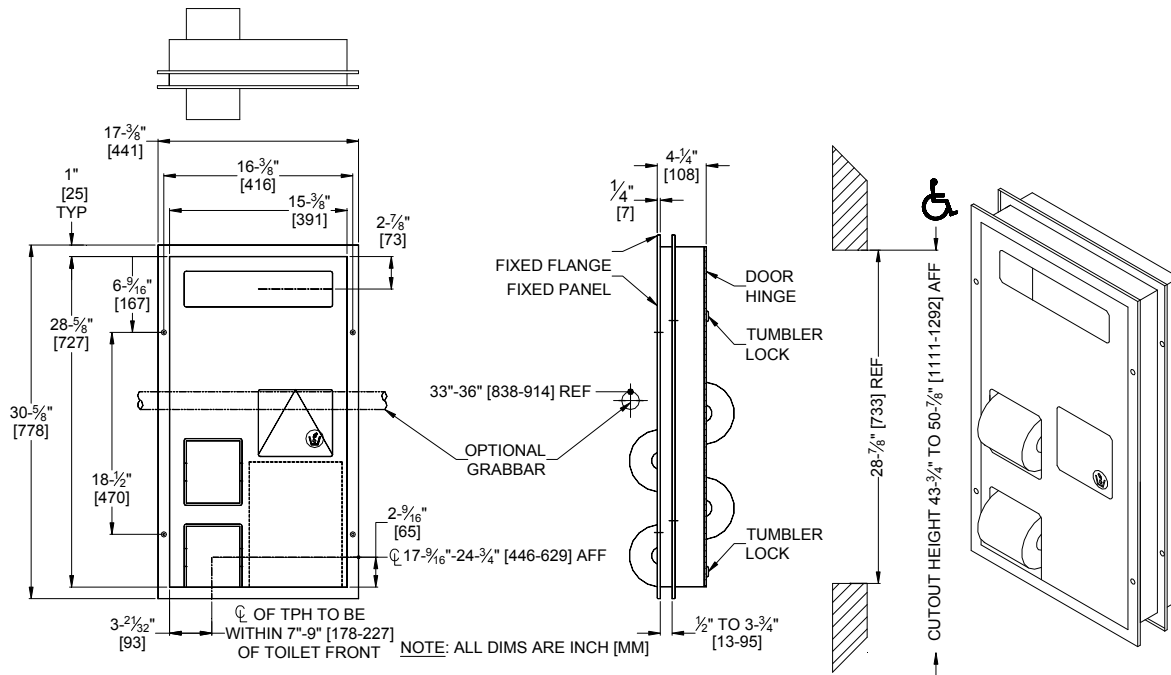
**AMERICAN SPECIALTIES, INC.**  
 441 Saw Mill River Road, NY 10701  
 (914) 476.9000 • (914) 476.0688  
 www.americanspecialties.com

**MODEL No: 0481-HC**

ISSUED: 01/87

REVISED: 02/12

**PARTITION MOUNTED DUAL ACCESS SEAT COVER & TOILET PAPER DISPENSER WITH SANITARY NAPKIN DISPOSAL**



**SPECIFICATION**

Partition Mounted Dual Access Seat Cover & Toilet Paper Dispenser with Sanitary Napkin Disposal for Barrier Free Access shall hold and dispense 1000 standard single or half-fold paper toilet seat covers contained in supply box and four (4) standard or 1800 sheet 4-1/2" x 5-1/4" diameter (114 x Ø133) toilet paper rolls, and shall have a waste capacity of 1.3 gal (4.9 liters) or 300 in<sup>3</sup> (.005 m<sup>3</sup>). Seat dispenser, waste disposal door and toilet paper dispenser door shall be fabricated of 18 gauge type 304 stainless steel alloy 18-8. Face frame and cabinet shall be 22 gauge. All exposed surfaces shall have satin finish protected during shipment with PVC film easily removed after installation. Face trim mounting flanges shall be of one piece construction 1" (25) wide with no welded miters and shall have square 1/4" (6) returns with an adjustability range for partition thickness of 1/2" to 3-3/4" (13 to 95). Flange on HC panel side of unit shall be flush with face of unit to permit flush mounting behind grab bar. Access door shall be opposite HC stall. Seat cover dispensing slot shall have fully deburred flat edges for snag-free dispensing and user safety. Internal baffles shall prevent line of sight view from either side through unit at any time. Cabinet door shall be attached to face frame with a full-length, heavy-duty 3/16" diameter (Ø5) stainless steel multi-staked piano hinge and shall be held closed with two (2) tumbler locks keyed alike to other ASI washroom equipment. Disposal doors shall be hung on cabinet with stainless steel spring hinges and have the international waste disposal symbol on face. Tamper resistant waste container shall be fabricated of 26 gauge type 304 stainless steel alloy 18-8 with 2B finish. Cabinet shall include theft and vandal resistant rollers that shall be of molded high-impact resistant plastic with integral molded-in stainless steel endpins and four (4) rollers [p/n R-004] shall be supplied. Structural assembly of cabinet and door components shall be of welded construction and shall have no exposed fasteners.

**Partition Mounted Dual Access Seat Cover & Toilet Paper Dispenser with Sanitary Napkin Disposal for Barrier Free Access shall be Model No 0481-HC, as manufactured by American Specialties, Inc., 441 Saw Mill River Road Yonkers, New York 10701-4913**

**INSTALLATION**

Mount unit in partition using № 10 x 3/4" Philips oval head self-tapping screws (supplied). Holes in flanges are 1" (25) offset to prevent screw interference. For compliance with ICC/ANSI A-117.1-2003 and 2010 ADA Accessibility Standards top of cutout should be between 43-3/4" and 50-7/8" (1111 to 1292) AFF. One trim mounting flange adjusts for partition thickness of 1/2" to 3-3/4" (13 to 95). To comply with CalDAG mounting height, top of cutout should be 42-7/8" (1089) AFF maximum. Note partition cutout is 7/8" (22) below top of face trim. If optional grab bar is used (not supplied) it is positioned across unit with top of grip surface at 33" (838) AFF minimum.

**Partition Cutout Required: 15-1/2" W x 28-7/8" H x 1/2" to 3-3/4" thick partition (394 x 733 x 13 to 95)**