



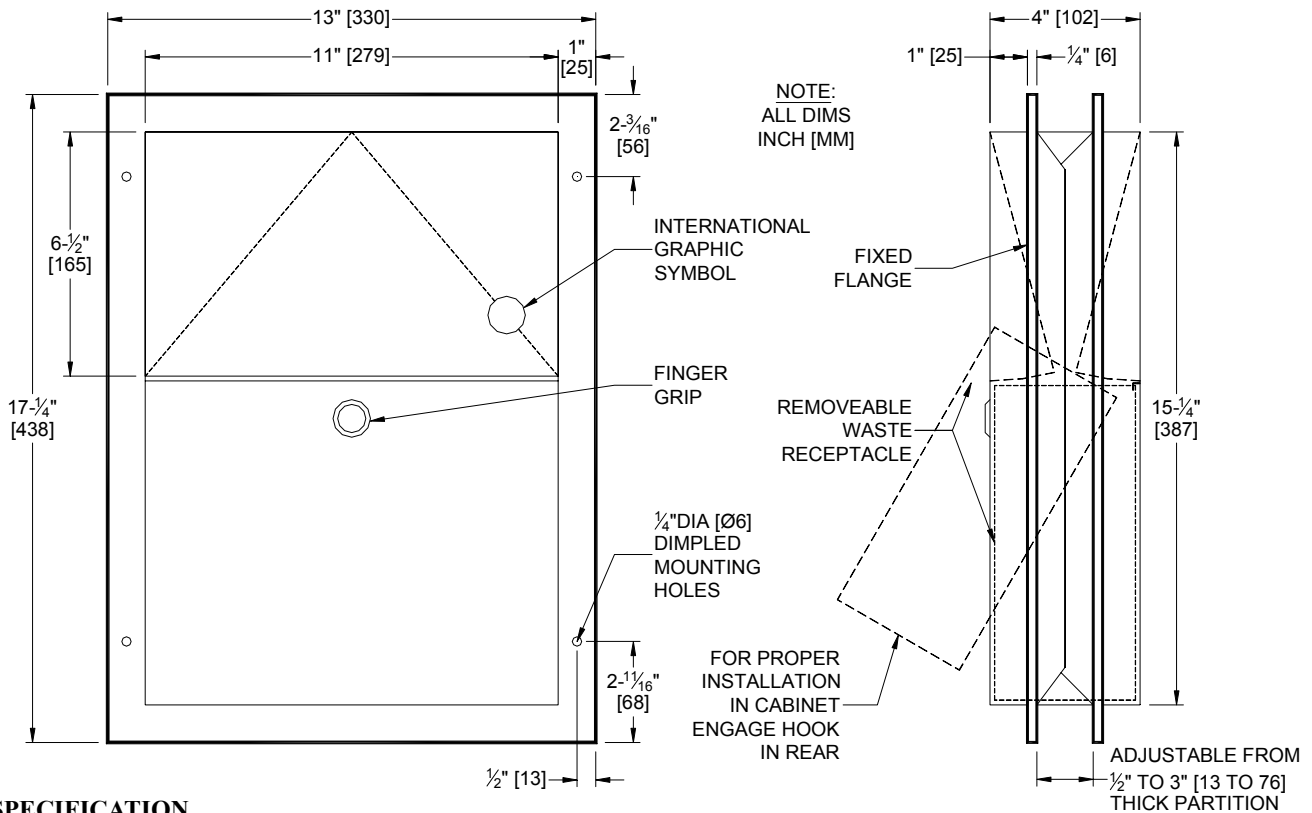
AMERICAN SPECIALTIES, INC.
 441 Saw Mill River Road, NY 10701
 (914) 476.9000 • (914) 476.0688
 www.americanspecialties.com

MODEL №: 0472

ISSUED: 01/87

REVISED: 07/10

PARTITION MOUNTED DUAL ACCESS SANITARY NAPKIN DISPOSAL



SPECIFICATION

Partition Mounted Dual Access Sanitary Napkin Disposal shall hold 1.5 gal (5.7 L) of dry/solids waste. Doors, flanges, waste receptacle and cabinet shall be 22 gauge type 304 stainless steel alloy 18-8. All exposed surfaces shall be satin finish and be protected during shipment with PVC film easily removable after installation. Doors shall operate independently and shall be attached to cabinet with a full-length 3/16" diameter (Ø4.8) stainless steel multi-staked piano hinge and shall be spring loaded to hold in closed position. International graphic symbol for waste disposal label shall be adhered to doors. Structural assembly of body and door components shall be of welded construction. Face trim mounting flanges shall be of one piece construction 1" (25) wide with no welded miters and shall have square 1/4" (6) returns with an adjustability range for partition thickness of 1/2" (13) to 3" (76). Waste container shall be captured internally by full width Z-retainer and shall have fully hemmed-finger grip for safety and service removal from one side only.

Partition Mounted Dual Access Sanitary Napkin Disposal shall be Model № 0472 as manufactured by American Specialties, Inc., 441 Saw Mill River Road, Yonkers, New York 10701-4913

INSTALLATION

Partition mount unit through precut partition cutout (PCO) using four (4) № 10 x 3/4" (M5 x 20) Philips flat head or oval head self tapping screws (supplied) per side (eight [8] total) through mounting holes provided through fixed mounting frame and adjustable mounting frame into suitably prepared partition (by others). Mounting holes are offset 1/2" (13) from opposite side frame holes for screw clearance. Note that cutout is 3/16" (Ø4.8) above cabinet door top and 13/16" (21) below mounting flange top edge. Mounting flanges adjust to accommodate partition thickness of 1/2" (13) minimum to 3" (76) maximum. For compliance with ADA Accessibility Guidelines and maximum usability install unit with top of disposal door 33" (864) MAX AFF and 24" (610) min AFF and 27" (686) to centerline of cutout from rear wall.

PCO Required is 11-3/8" W x 15-5/8" H x 1/2" to 3" Thick (289 x 397 x 13 to 76)

OPERATION

Users push doors to deposit waste material. Doors are self-closing and operate independently and may be used simultaneously. Maintenance schedule determines waste removal cycle. Empty unit by removing bottom waste container and inverting over collection bag. Waste container is captured by internal angle to prevent inadvertent dumping. Safety-edged finger grip provides convenient lift handle for service.

Accessory Specialties

AMERICAN DISPENSER

Desert Ray Products

WATROUS, INC.

THIS MANUFACTURER RESERVES THE RIGHT TO MAKE CHANGES IN DESIGN OR DIMENSIONS WITHOUT FORMAL NOTICE