



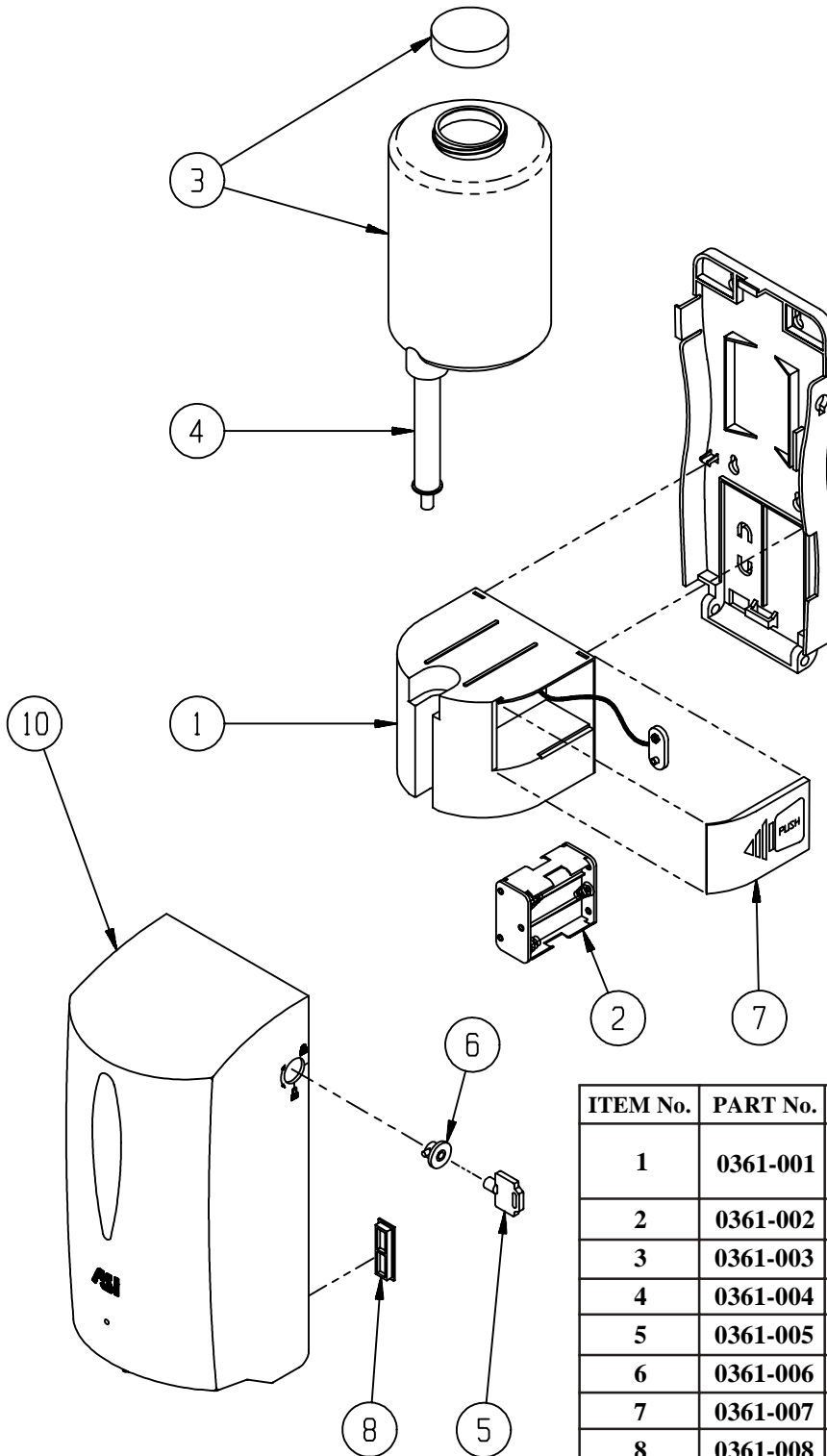
AMERICAN SPECIALTIES, INC.

441 Saw Mill River Road, Yonkers, NY 10701 (914) 476-9000
www.americanspecialties.com

0361-PL

Effective date: April 06
Supersedes: (all)

SURFACE MOUNTED AUTOMATIC SOAP DISPENSER REPAIR PARTS



ITEM No.	PART No.	PART DESCRIPTION
1	0361-001	ELECTRONIC BOX w/BATTERY COVER (w/o BATTERY CARRIER)
2	0361-002	BATTERY CARRIER
3	0361-003	SOAP TANK with CAP + DISPENSE VALVE TUBE
4	0361-004	DISPENSE VALVE TUBE only
5	0361-005	KEY
6	0361-006	LOCK
7	0361-007	BATTERY BOX COVER only
8	0361-008	RUBBER PLUG VOLUME ADJUSTER BLOCK
9	0361-009	INSTRUCTION MANUAL (NOT SHOWN)
10	0361-010	FRONT COVER only (WITH VIEW WINDOW)

Accessory Specialties

AMERICAN DISPENSER

Desert Ray Products

WATROUS inc.

THIS MANUFACTURER RESERVES THE RIGHT TO MAKE CHANGES IN DESIGN OR DIMENSIONS WITHOUT FORMAL NOTICE