



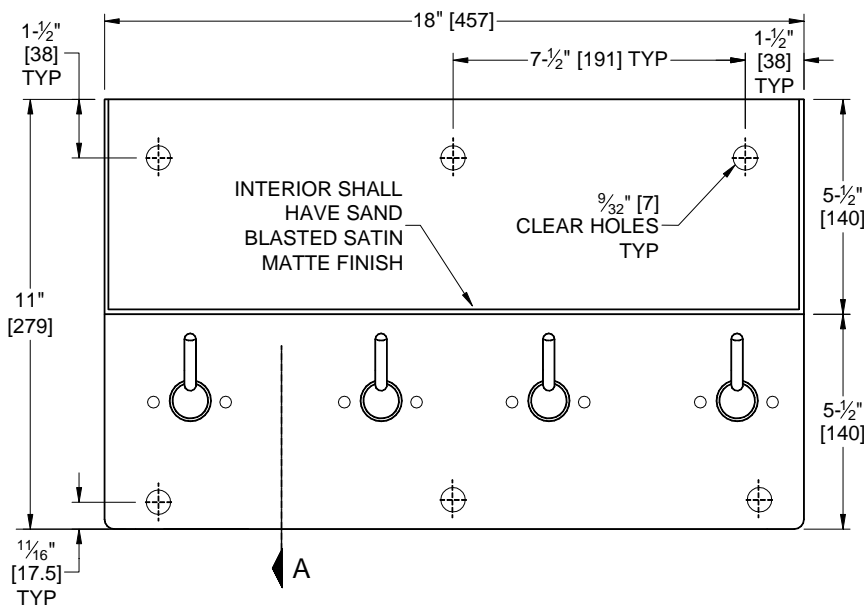
AMERICAN SPECIALTIES, INC.
 441 Saw Mill River Road, NY 10701
 (914) 476.9000 • (914) 476.0688
 www.americanspecialties.com

MODEL №: 128-1

ISSUED: 01/87

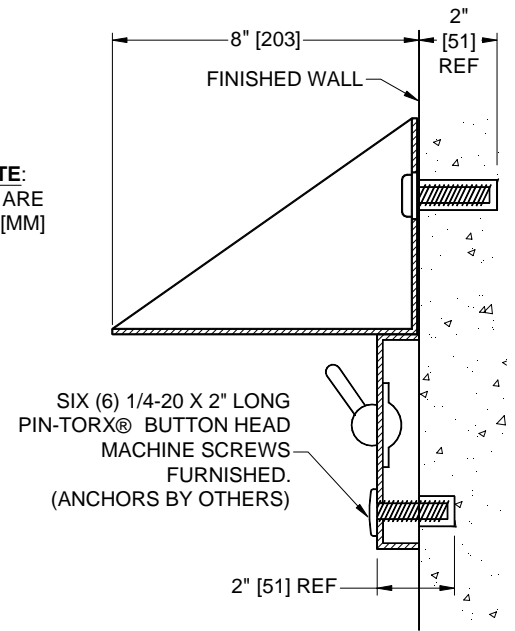
REVISED: 08/11

FRONT MOUNTED BOOKSHELF WITH FOUR (4) SECURITY SAFETY CLOTHES HOOKS



ELEVATION

NOTE:
 DIMS ARE
 INCH [MM]



A-SECTION VIEW

SIX (6) 1/4"-20 X 2" LONG
 PIN-TORX® BUTTON HEAD
 MACHINE SCREWS
 FURNISHED.
 (ANCHORS BY OTHERS)

SPECIFICATION

Bookshelf with four (4) Security Safety Clothes Hooks for surface mounting shall be fabricated of type 304 stainless steel alloy 18-8. Back plate and bookshelf shall be 14 gauge. Clothes hooks shall be solid bar 3/8" diameter (Ø10) of one-piece construction with 1" diameter (Ø25) swivel trip-ball. Safety hook shall snap down when load exceeds 35 lb (16 kg) limit. Trip-ball socket housing shall prevent hook from being set in vertical-up position. All exposed surfaces except shelf interior shall have satin finish. Interior of shelf shall have sandblasted finish. All seams shall be welded and ground smooth. The unit is provided with six (6) clear mounting holes that shall accept (supplied) 1/4"-20 or (M6) stainless steel pin-Torx® button head machine screws.

Front Mounted Bookshelf with four (4) Security Safety Clothes Hooks shall be Model № 128-1 of American Specialties Inc., 441 Saw Mill River Road, Yonkers, New York 10701-4913

INSTALLATION

For compliance with ADA Accessibility Guidelines, install unit so that shelf is no more than 48" (1219) maximum above finished floor (MAX AFF). Surface mount unit on finished wall with six (6) 1/4"-20 x 2" long (M6 x 51) pin-Torx® button head machine screws (supplied) into wall anchors (by others) through front mounting holes provided.

OPERATION

An 18" W x 8" D (457 x 203) bookshelf is provided with triangular sidewalls to function as bookends. Clothes hooks are tensioned to release down when overloaded beyond the 35 lb (16 kg) limit.