

# STORMRIDER HIGH SPEED HAND DRYER

## Stainless Steel Construction

for maximum durability

## One-Piece Cover

modern & sleek design, easy to clean



## Blue Light Technology

allows users to maximize the dryers efficiency

## Wide Drying Area

for an optimal 10-15 second dry time

## Color Changing LED Indicator

indicates dryer status. Red = Idle; Green = On

MODEL: HD0960 | ULTRA SERIES




## MODEL NUMBER & COLOR

HD0960-09, HD0961-09	Satin Stainless
HD0960-17, HD0961-17	White
HD0960-27, HD0961-27	Matte Black

## COLOR OPTIONS

 (09) BRUSHED STAINLESS

 (17) WHITE

 (27) MATTE BLACK

## TECHNICAL SPECIFICATIONS

**Material:** Steel

**Motor Type:** Brush, Dual Ball Bearings

**Thermal Protection:**

Motor Shuts Off at 275°F (135°C)

Heater Shuts Off at 285°F (85°C)

**Operating Airflow:** 44.2-63.6 CFM, Adjustable

**Air Output Temperature:**

131°F (55°C)

Ambient Temperature 77°F (25°C)

**Sound Level:** 68.2dB

**Isolation:** Class 1

**Drip Proof:** IP31 ☔

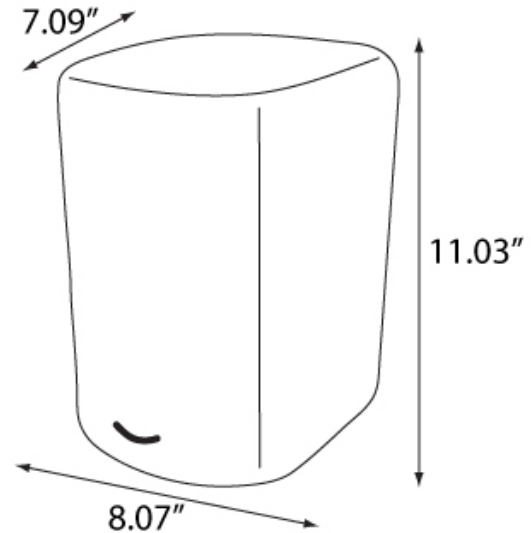
**Watts:** 350 - 700W, Adjustable

**RPM:** 12,000 - 18,000, Adjustable

**Voltage & Amps:**

HD0960-09	110/120 Volts	1.19-1.4 Amps
HD0961-09	220/240 Volts	1.19-1.4 Amps
HD0960-17	110/120 Volts	1.19-1.4 Amps
HD0961-17	220/240 Volts	1.19-1.4 Amps
HD0960-27	110/120 Volts	1.19-1.4 Amps
HD0961-27	220/240 Volts	1.19-1.4 Amps

**Mounting:** Surface



## MOUNTING HEIGHTS

from bottom of dryer to the finished floor

**Men** 50"

**Women** 47"

**Children (4-7)** 35"

**Children (8-10)** 39"

**Children (11-13)** 43"

**Children (14-16)** 47"

**Disabled** 40"

## DIMENSIONS & WEIGHT

HD0960 & HD0961

**Width:** 8.07"

**Height:** 11.03"

**Depth:** 7.09"

**Weight:** 12.1 lbs

**Phone:** 920.884.8698

**Toll-Free:** 800.558.8678

**Fax:** 920.884.8699

**Email:** info@palmerfixture.com



Palmer Fixture

PO BOX 10887

Green Bay, WI 54307

**Website:** www.palmerfixture.com

V11.2019