



## The KB2600 Adult Changing Station



**Koala Kare™**

A Division of Bobrick

# KB2600 Adult Changing Station

## The Importance of Adult Changing Stations

Many adults and adolescents have special needs or disabilities that require a caretaker when it comes to restroom use or changing. For example, over 8 million people in the United States need help with daily self-care. Sadly, standard public restrooms are unable to meet their needs in a way that is hygienic, safe, or dignified. As such, many of these individuals forgo going to buildings and facilities that do not address their needs.

## Meeting Diverse Needs with Dignity

Providing dedicated restrooms with height-adjustable adult changing stations ensures that a building is inclusive to people with these needs and their care givers. Adult changing stations serve people with disabilities, mobility challenges, incontinence, or other medical needs. These stations also help to ensure a safe changing process for the caregiver.

## Necessity of Adult Changing Stations with Height Adjustability

The point of transfer from a wheelchair to a changing station needs to be safe for the one being changed and the person assisting them. Therefore, it is crucial that the height from the floor of the changing surface of an adult changing station be easily adjustable. The height should be able to adjust low enough to allow for a safe transfer from a wheel chair, and then able to rise high enough to allow for comfortable reach and access when changing for a variety of different users.

## Prioritizing Safety

- NRTL Class 1 electrical system to protect against electrical shock.
- Built-in back-up battery ensures operation during a power outage.
- UL certified for US and Canada.
- UL 962 & C22.2 No. 68

## Easy to Use

- Handheld control for electronic height adjustment of table.
- Front safety guard requires less than 5 lbs. of force with one-hand to operate. The guard locks in raised position along front side when in use and easily rotates and locks when not in use.

## Designed for Public Buildings

- IK9: High Impact Resistant Cover.
- IPX4: Water Resistant.
- Durable, non-rip high tension vinyl stretcher is easy to clean.



• **4.6% of all adults over 18 experience difficulty with self-care**

• **Over 12% of Americans have serious mobility issues**

• **Over 8 million people in the USA need help with daily self care**

**Changing station  
in closed position**

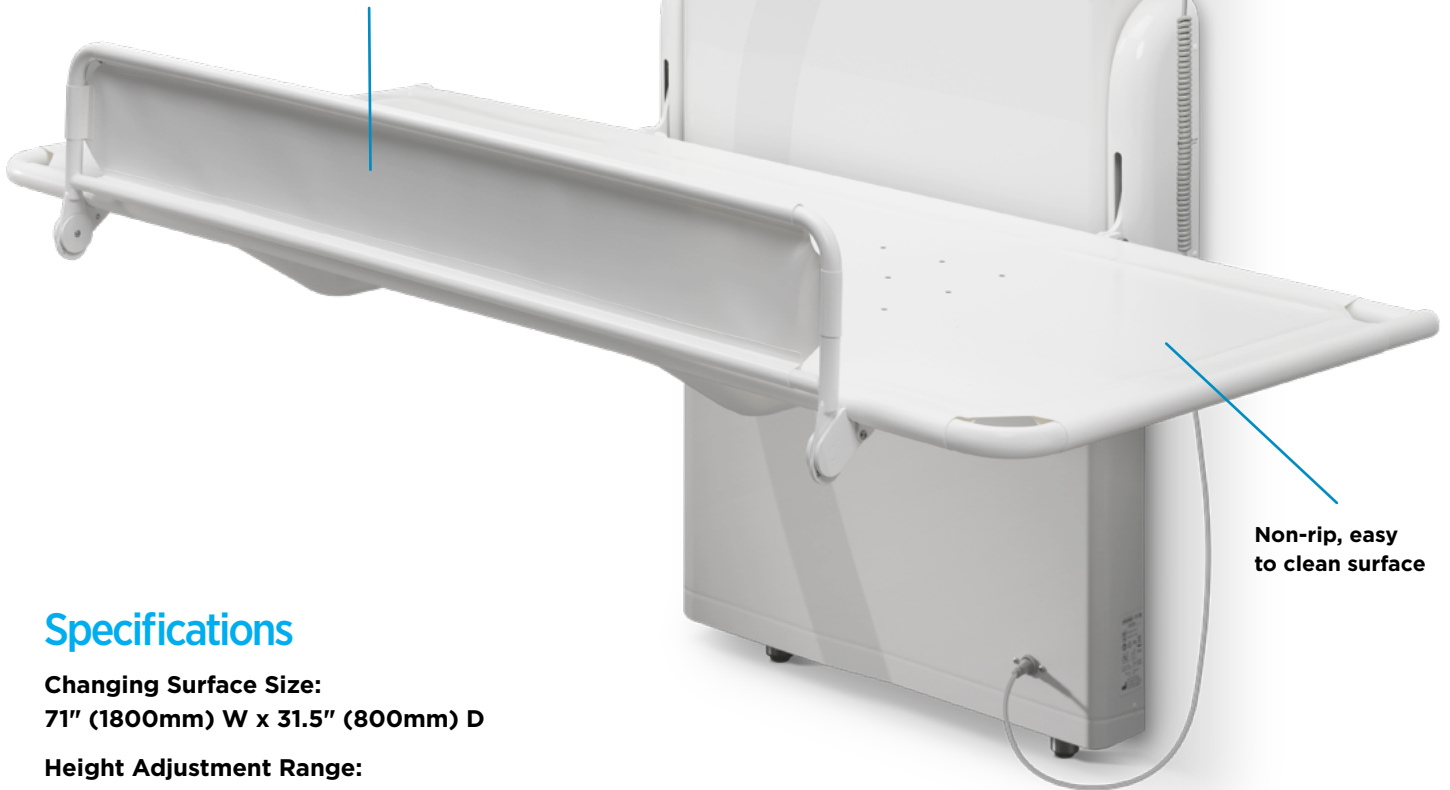


**Clean, contemporary design**



**Integrated height  
control raises/lowers  
changing surface**

**Front guard for  
additional safety**



**Non-rip, easy  
to clean surface**

## Specifications

**Changing Surface Size:**  
71" (1800mm) W x 31.5" (800mm) D

**Height Adjustment Range:**  
13.7" (350mm) - 37.4" (950mm)

**Safe Working Load: 440 lbs (200kg)**

**Closed Depth: Less than 12.5" (309mm)**

**Koala Kare™**

A Division of Bobrick



---

## Warranty Information

Three-year warranty applies to normal use environments. Terms and conditions apply.

---

## Installation

For installation instructions, videos and other resources, please visit the KB2600 product page at [www.koalabear.com](http://www.koalabear.com)

---

## Local, National & International Legislation and Codes

Explore the interactive map on our web site to learn more.



A Division of Bobrick

Koala Kare Products  
6982 S. Quentin Street  
Centennial, CO 80112

[Koalabear.com](http://Koalabear.com)

KB2600 Brochure September 2025