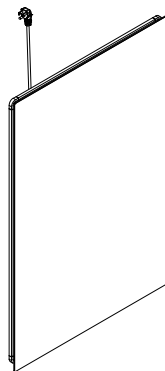
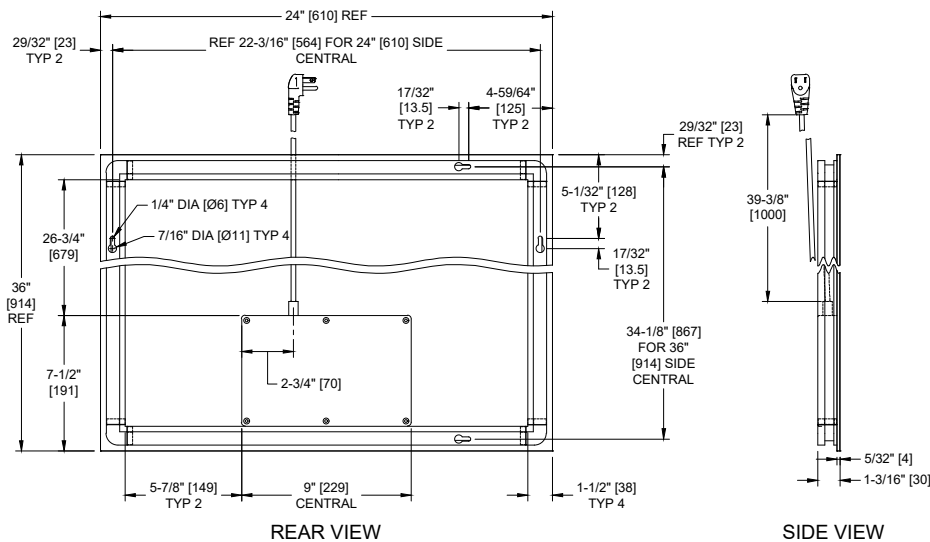


Frameless - Plate Glass - LED Halo Back Lighted - Surface Mounted

Mirrors

MasterFormat Section 10 28 13



NOTE:
ALL DIM'S INCH [MM]
ILLUSTRATION FOR REF ONLY AND NTS
FOR CLEANING INSTRUCTIONS SEE APPROPRIATE SECTIONS IN
PRODUCT CARE & MAINTENANCE BULLETIN (PCM) ON ASI WEBSITE

Scan for Information



SUSTAINABILITY/LEED

MR 4.1 (1) MR 6 (1) EQ 4.2 (1)
MR 4.2 (1) EQ 4.1 (1) EQ 4.4 (1)

PRODUCT OVERVIEW

Frameless polished edge mirror with integral mounting frame and silhouette LED halo lighting shall be consistent with A glazing and shall be 5/32" [4] thick. Hard wired LED lighting system shall be UL listed and shall operate on 100/240 VAC 50/60 Hz. Light color shall be the equivalent of 3500K. Unit shall be mountable in horizontal or vertical format without additional brackets or adaptations to mounting provisions. Power cord is supplied installed for use by owner if appropriate socket is provided on wall (by others) concealed by mounting frame of mirror and is 39-3/8" [1000] long with 3-prong USA pattern plug and is SVT 3x18AWG.

KEY FEATURES & SPECIFICATIONS

- LED backlighting concealed by a frameless mirror with a polished edge adds an air of simple elegance
- Mirror is mounted by an integral, concealed, aluminum mounting system
- Made of 5/32" [4] thick plate glass
- LED bulbs with an extended lifespan of up to 50,000 hours save energy and costs
- Surface Mounted
- Mirror can be mounted vertically or horizontally without adaptations
- 100V to 240V - 50/60 Hz. Light color is equivalent to 3500K



Model #0640 Series

Technical Data Sheet

TECHNICAL INFORMATION / PRODUCT PROPERTIES

Property	Value
Dimensions	Various Sizes Available
Construction	5/32" [4] thick plate glass mirror Clear Anodized Aluminum closed-section Frame with press-fit plastic Corner Joiners & Plastic LED Control Box
Mounting	Surface Mounted
Power	Sizes 2436, 3036, 4836 are 35W @ 120V Size 6036 is 60W @ 120V

INSTALLATION

Keyhole mounting slots are provided in long and short sides of back frame. Mirror is to be hung on pre-installed pan head screws (provided) to be retained by screw heads engaged into the slots. Mounting screws must be tightened into appropriate wall anchors (plastic provided) or blocking (by others) to suit site conditions adequate to support weight of mirror. Power must be provided (by others) to allow hard wiring (by others) or plug-in to outlet (by others) installed (by others) of power cord (provided) to power LED control circuitry. Wall switch (by others) should be installed (by others) to control on-off function. Face of mirror will be 1-3/16" [30] from wall when installation is completed.

SIZE OPTIONS

Options	0640-2436 – 24" wide x 36" high [610 x 914] 0640-4836 – 48" wide x 36" high [1219 x 914]	0640-3036 – 30" wide x 36" high [610 x 914] 0640-6036 – 60" wide x 36" high [1524 x 914]
Lumens	0640-2436 – 3500 Lumens 0640-4836 – 4980 Lumens	0640-3036 – 3840 Lumens 0640-6036 – 5700 Lumens

GLAZING OPTIONS

N/A

WARRANTY

Five (5) Years from date of invoice