



WBD1 WashBar® Duo

- Chrome plated cast alloy WashBar® Duo includes touch-free soap and water
- WashBar technology intuitively guides user and eliminates simultaneous activations
- Available with foam or liquid soap
- WashBar Duo comes complete with supply hoses and soap dispenser components

Specifications

The single piece WashBar Duo allows users to access soap and water without leaving the hand washing station. The unit handles washroom traffic quickly and economically, while providing each user with personal space.

Construction

WashBar Duo

WashBar Duo includes touch-free soap and water. Load tested to 500 pounds, WashBar Duo is secured to the basin with two anti-rotational shanks. Blue LED lights help guide the user to WashBar Duo, indicating the functions. The LED light will change from blue to green to signify that the function is in use. Each function is easily identified by the corresponding icon on WashBar Duo's top surface.

Each sensor includes a turn-off delay of 1-2 seconds to aid in a smooth, controlled hand-washing and drying operation. WashBar Duo sensors are not affected by varying skin tones or darkness. Smart technology allows the facilities manager or maintenance staff to clean and configure with ease.

Cleaning Mode

WashBar Duo has an activation feature to put the unit into cleaning mode to allow for easy cleaning of WashBar Duo and the basin without activating the functions.

Configuration Mode

Configuration mode easily allows the system light brightness and soap type to be changed.

Soap Dispenser

The soap dispenser is located on the left side of the WashBar Duo, eliminating any soap from dripping on counters or onto the floor, minimizing slip hazards and allows for easy cleaning. Choose between a foam or liquid soap dispenser, which are compatible with most bulk soaps. Soap system accommodates up to a 1 gallon container to reduce the number of soap replacements. When the LED light above the soap function turns to solid red, simply reset the soap counter and then check the level and replace the soap container with a full container if necessary. The soap system includes an adapter to fit many 1 gallon soap containers available on the market.

Please visit <https://www.bradleycorp.com/maintenance/soap-dispensers> for soap recommendations.

Faucet

Faucet is located on the right side of WashBar Duo and has a spray angle of approximately 17 degrees off the vertical. Comes standard with a 0.5 gpm/1.90 Lpm, 0.09 gpc/0.35 Lpc or 0.35gpm/1.33 Lpm, 0.05 gpc/0.25 Lpc PCA silicone tip, non-aerated spray pattern with a maximum run time of 11 seconds per activation. Automatic 5 second purge within 24 hours of the last use. Recommended operating range is 20-80 psi.

Electrical

Each WashBar Duo is powered by one 120V 2 A 12V DC adapter that plugs directly into the electrical outlet.



Code Compliance and Certifications

cUPC Approval

WashBar Duo is in compliance with Uniform Plumbing Code (UPC), International Plumbing Code (IPC) and National Plumbing Code of Canada, approved through the International Association of Plumbing and Mechanical Officials (IAPMO). Manufactured in compliance with IGC 127-2014 Combined Hand Washing Systems & ASME A112.18.1/CSA B125.1.

- ✓ Standard product selections contained within this document are third party **CERTIFIED** to NSF/ANSI 372 meeting the Lead-Free content requirement. Any product configured with custom options will be **COMPLIANT** with NSF/ANSI 372 meeting the Lead-Free content requirement.



- ✓ This plumbing fixture is designed for hand washing only. It is not intended to dispense water for human consumption through drinking or for preparation of food or beverages.



Models (Must select one)	
Model	Description
<input type="checkbox"/> WBD1	WashBar Duo
Standard Selections (Must select one from each category)	
Soap Type (select one)	
<input type="checkbox"/> F	Foam Soap Dispenser - 1 gallon soap container by others
<input type="checkbox"/> L	Liquid Soap Dispenser - 1 gallon soap container by others
Water Supply Type (select one)	
<input type="checkbox"/> T	Navigator® Thermostatic Mixing Assembly w/Stops and Hot and Cold Supply Hoses
<input type="checkbox"/> L	Single Tempered Line Assembly (Supply Hoses and Shut-Offs included)
Aerator Type (select one)	
<input type="checkbox"/> 3	0.35 gpm PCA Silicone Tip, Non-Aerated
<input type="checkbox"/> 5	0.50 gpm PCA Silicone Tip, Non-Aerated
Finish Type (select one)	
<input type="checkbox"/> PC	Polished Chrome



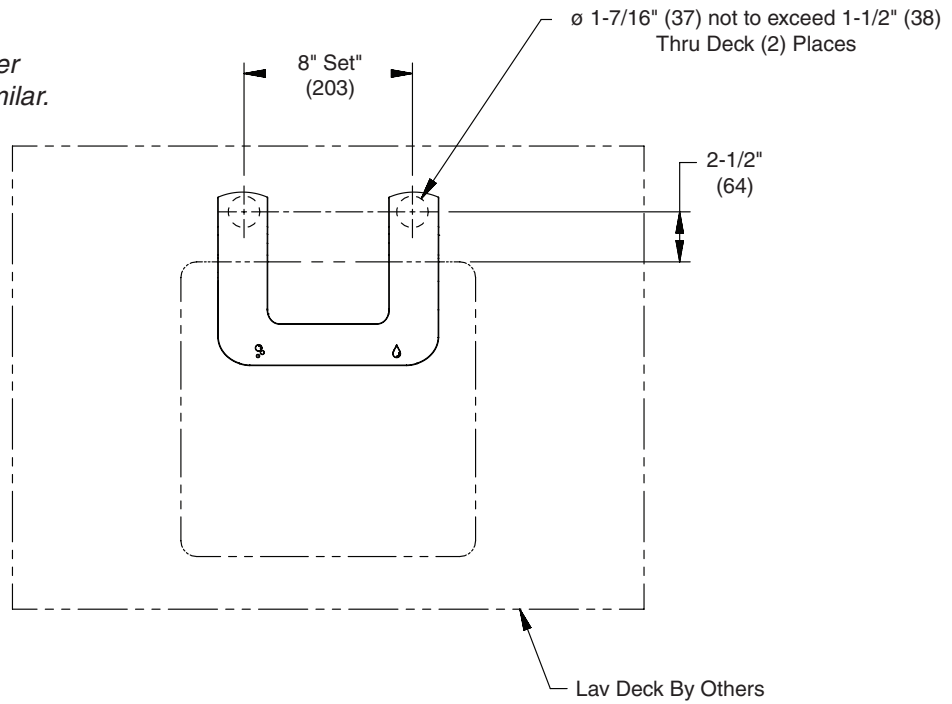
Dimensions - Customer Supplied Countertop with WashBar Duo

(mm)

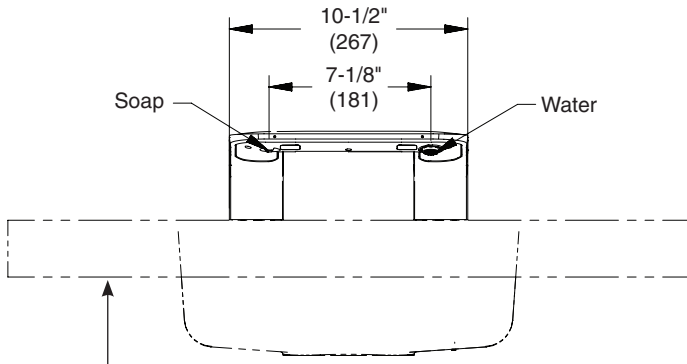
Top View



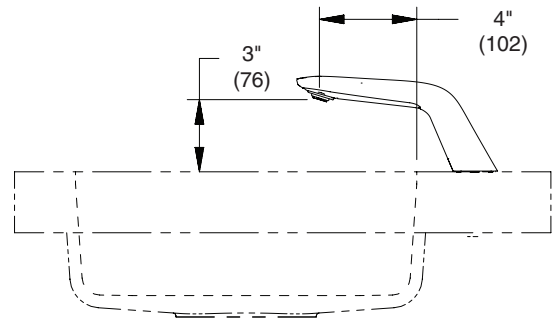
1-Station shown. Other configurations are similar.



Front View



Side View



Minimum deck thickness 0.5"
Maximum deck thickness 1.4"



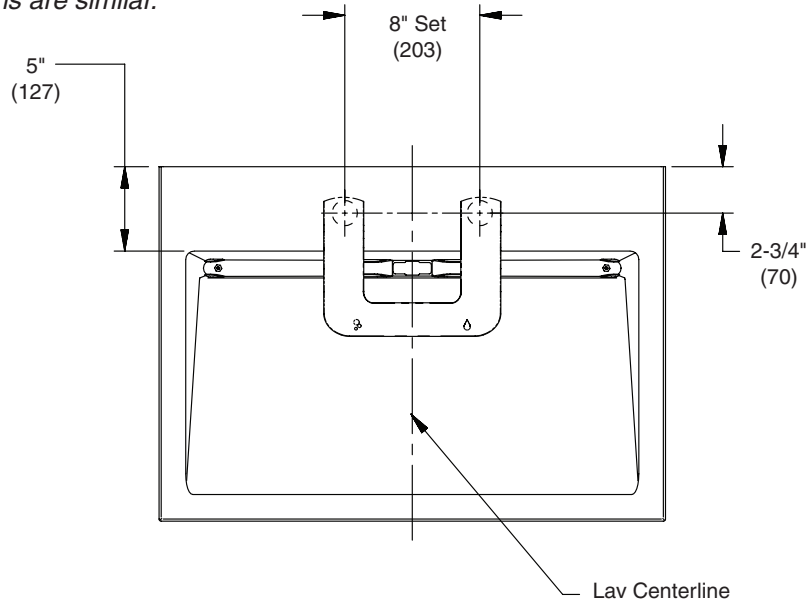
Dimensions - Verge LVA-Series with WBD1

(mm)

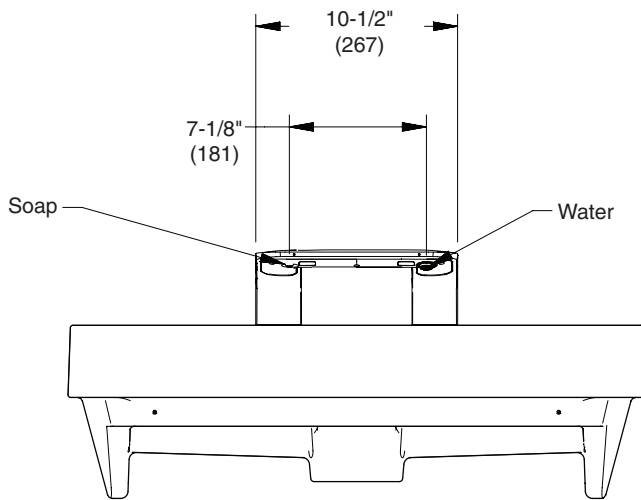
Top View



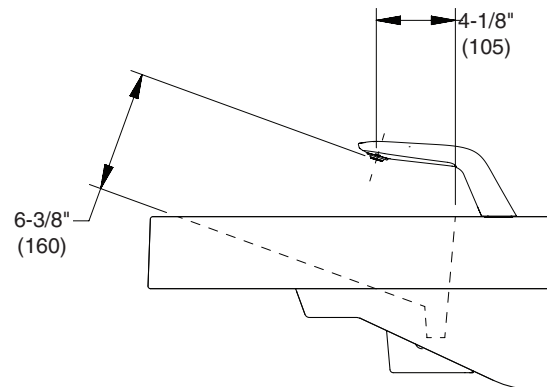
1-Station shown. Other configurations are similar.



Front View



Side View

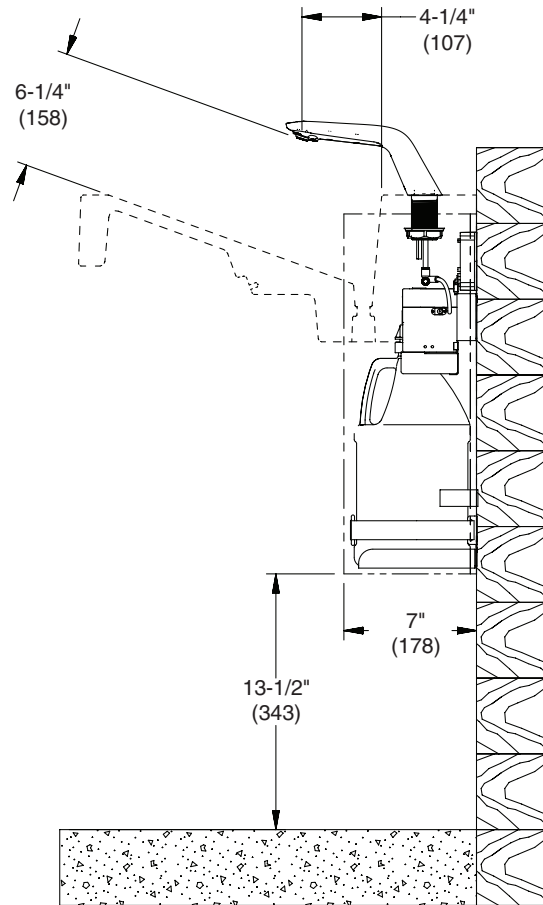




Dimensions - Verge LVA-Series with WBD1

(mm)

Side View with Soap





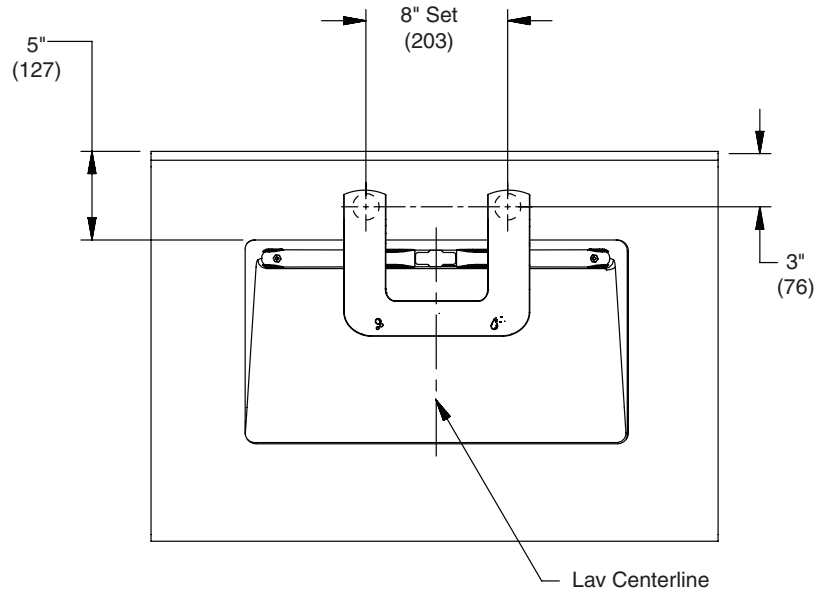
Dimensions - LD-3010 with WBD1

(mm)

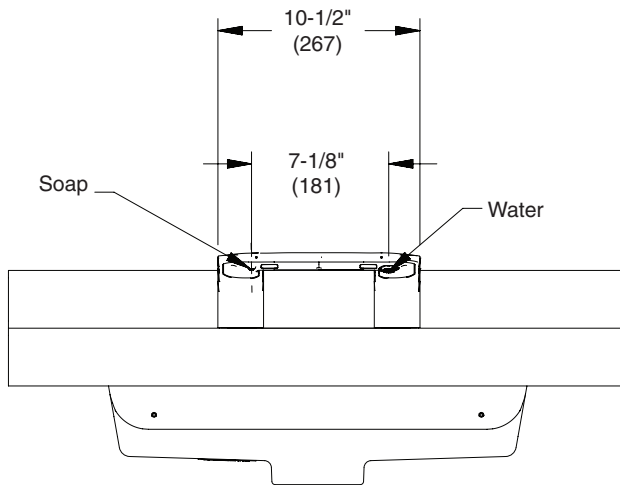
Top View



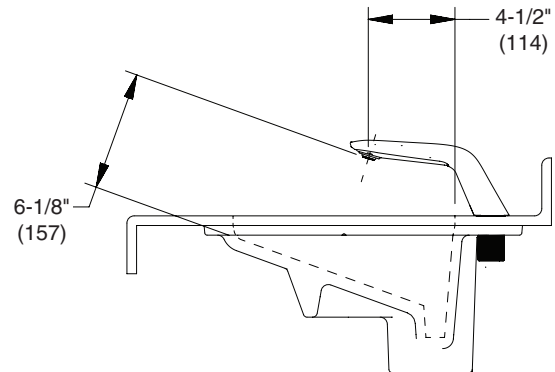
1-Station shown. Other configurations are similar.



Front View



Side View





Structural Rough-Ins for WashBar Duo

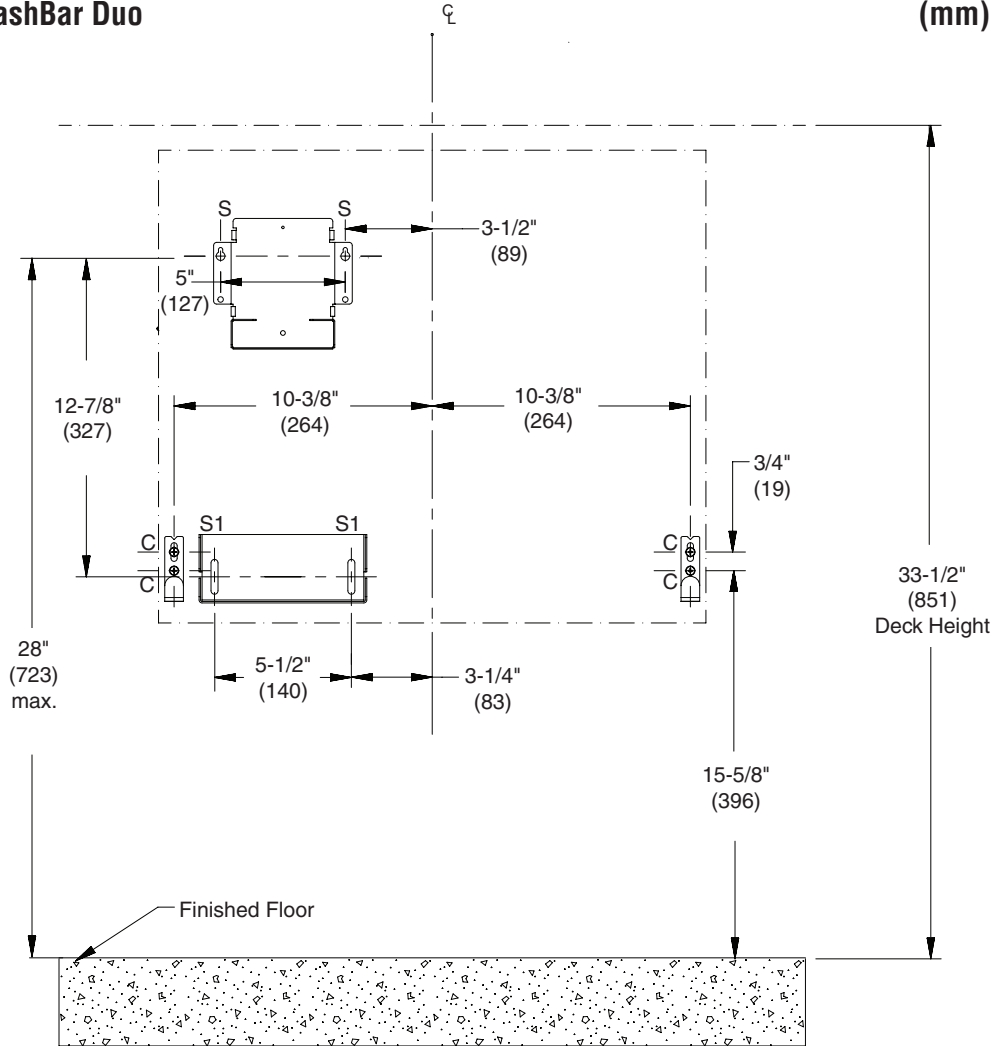
(mm)



Standard ADA height shown. Subtract or add for other accessibility guidelines.



Typical rough-ins for single bowl are shown. Other multiple-bowl rough-ins are similar.



CODE	DESCRIPTION	QTY.
C*	Install wall anchor with a minimum pull-out force of 100 lbs. per local codes at locations shown	4
S	#10 Wall Anchors for Soap Control Box Bracket	4
S1	#10 Wall Anchors for Soap Tank Bracket (100 lb pull out force)	4

* "C" roughins for access panel brackets is not needed for customer supplied countertop.

RIM HEIGHT	VERTICAL HEIGHT ADJUSTMENTS	FIXTURE STYLE
34"	No Adjustment	Standard Height, ADA, TAS
31"	Subtract 3"	Juvenile, ADA and TAS
33-1/16"	Subtract 15/16"	OBC
34-1/16"	Add 1/16"	BCBC and QBC
33-7/8"	Subtract 1/8"	CSA

* See installation instructions for more detailed information.

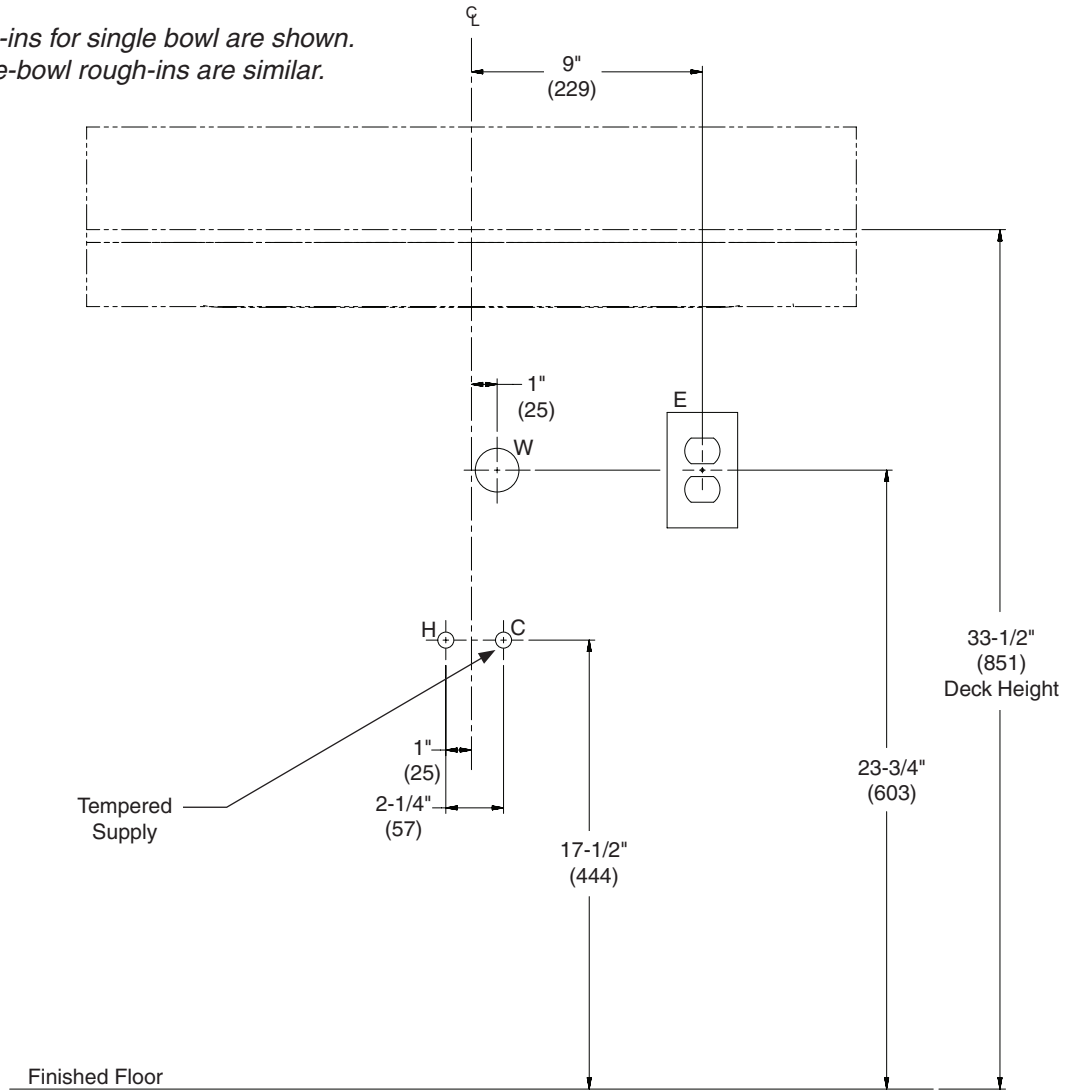


Plumbing and Electrical Rough-Ins for WashBar Duo

(mm)

Standard ADA height shown. Subtract or add for other accessibility guidelines.

Typical rough-ins for single bowl are shown. Other multiple-bowl rough-ins are similar.



CODE	DESCRIPTION	QTY.
W	1½" NPT Drain, Stub-out 2" from wall	1
E	Dedicated 120V AC, GFCI outlet properly grounded and no more than 4 ft from the GFCI outlet	1
H,C	1/2" nominal (5/8" O.D. Comp.) Hot/Cold supplies, stub-out 2" from wall	

* If no GFCI outlet is provided, contact a licensed electrician to assure electrical connections in accordance with local building codes