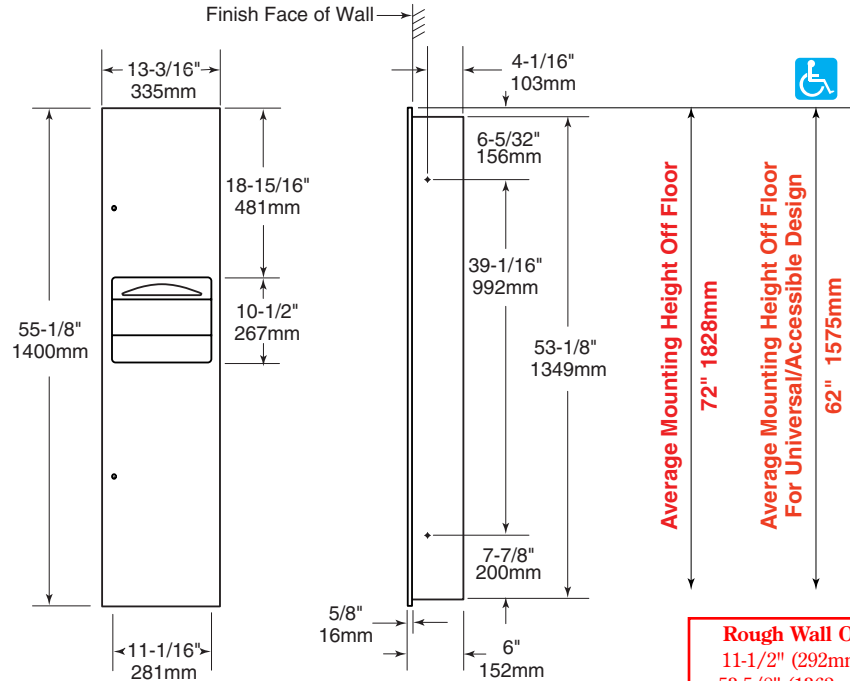




# RECESSED COVERALL COMBINATION TOWEL DISPENSER AND WASTE RECEPTACLE

# TW-9

- TW-9F** with 2" (51mm) skirt for semi-recessing
- TW-9FS** with 6" (152mm) skirt for surface mounting
- TW-9-4** with 4" (102mm) walls, fully recessed, with no push door, 3.8-gallon (14.4-L) capacity



**Rough Wall Opening**  
 11-1/2" (292mm) Wide  
 53-5/8" (1362mm) High  
 5-3/8" (146mm) minimum recessed depth

**CONSTRUCTION:**

Fabricated with type 304 heavy gauge stainless steel. All welded construction with exposed surfaces having a #4 satin-finish. One piece seamless door construction, EXTRA HEAVY 18-gauge (1.2mm) with 5/8" (16mm) return for rigidity. Door is mounted to cabinet with continuous stainless steel piano hinge and fitted with two tumbler locks. Self-closing push door mounted on continuous stainless steel piano hinge with International Symbol.

**CAPACITY:**

600 C-fold, 800 Multi-fold, or 1100 single-fold towels; 5-gallon (22-L) leak proof, rigid molded polyethylene container.

**INSTALLATION:**

Mount unit on wall with sheet-metal screws (not furnished) at points indicated. For plaster or dry wall construction, provide concealed backing to comply with local building codes, then secure unit with sheet-metal screws. For other wall surfaces, provide fiber plugs or expansion shields for use with sheet-metal screws, or provide toggle bolts or expansion bolts. If unit projects above top of wainscot, provide aluminum channel or other filler to eliminate gap between unit and finish face of wall.

**OVERALL DIMENSIONS:**

13-3/16" W x 55-1/8" H x 6" D (335 x 1400 x 152mm)

**ADA GUIDE:**

Access to paper towels should be 15" to 48" (381 to 1219mm) above the finish floor to allow forward and side reach by people in wheelchairs. Hinged panels covering waste receptacle openings should not require more than 5 pounds of force to open. Units should not project more than 4" (103mm) from the wall.

Recessed Coverall Combination Towel Dispenser and Waste Receptacle shall be Model \_\_\_\_\_ (insert model and number) of Gamco Commercial Restroom Accessories, One Gamco Place, Durant, OK, 74701-1910