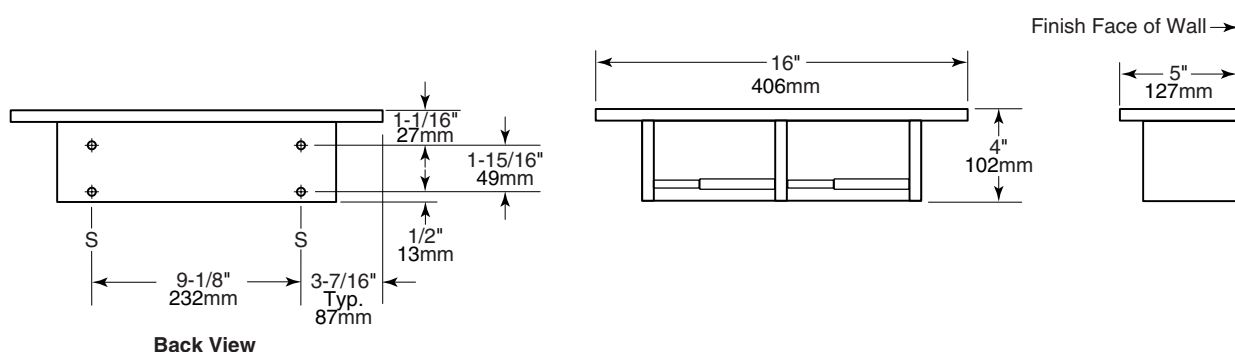




SURFACE-MOUNTED SHELF WITH TOILET TISSUE DISPENSER DOUBLE ROLL

SPH-2



MATERIALS:

Shelf — 18-8, type 304, 20-gauge (1.0mm) stainless steel with satin-finish. 1/2" (13mm) return edges for maximum rigidity. Front edge is hemmed for safety.

Mounting Brackets — 18-8, type 304, 20-gauge (1.0mm) stainless steel with satin-finish. Welded to shelf.

Toilet Tissue Dispensers (2) — Equipped with two chrome-plated plastic spindles, each with a heavy-duty internal spring.

OPERATION:

Close clearance of support brackets deters removal of toilet tissue rolls until they are depleted. Unit holds two standard-core toilet tissue rolls up to 5-1/2" (140mm) diameter (1800 sheets).

Designer's Note: It is recommended that one full toilet tissue roll remain wrapped or taped until the other roll has been depleted to avoid wasting the ends of both rolls.

INSTALLATION:

Mount unit on wall or partition with four #7 x 1-1/2" (3.8 x 38mm) sheet-metal screws (not furnished) at points indicated by an S. For partitions with particle-board or other solid core, provide sheet-metal screws or through-bolts, nuts, and washers. For hollow-core metal partitions, provide solid backing into which sheet-metal screws can be secured. If two units are installed back-to-back, then provide threaded sleeves and machine screws for the full thickness of partition. For plaster or dry wall construction, provide concealed backing to comply with local building codes, then secure unit with #7 x 1-1/2" (3.8 x 38mm) or longer sheet-metal screws. For other wall surfaces, provide #7 x 1-1/2" (3.8 x 38mm) sheet-metal screws and fiber plugs or expansion shields, or provide 1/8" (3mm) toggle bolts or expansion bolts.

SPECIFICATIONS:

Surface-mounted shelf with toilet tissue dispenser double roll shall be type 304 stainless steel with satin finish. Shelf shall have 1/2" (13mm) return edges with front edge hemmed for safe handling. Spindles shall be chrome-plated plastic with heavy-duty internal spring and shall hold standard-core toilet tissue rolls up to 5-1/2" (140mm) diameter (1800 sheets).

Surface-Mounted Shelf with Toilet Tissue Dispenser Double Roll shall be Model SPH-2 of Gamco Commercial Restroom Accessories, One Gamco Place, Durant, OK, 74701-1910