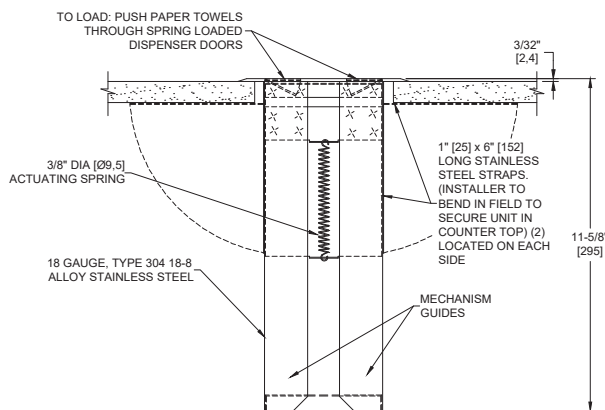
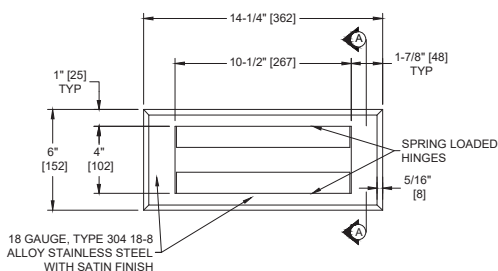
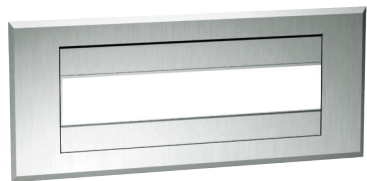


Paper Towel Dispenser – Counter Mounted

Paper Towel Dispensers

MasterFormat Section 10 28 13



SECTION 'A-A'

Scan for Information



SUSTAINABILITY/LEED

MR 4.1 (1) MR 6 (1) EQ 4.2 (1)
MR 4.2 (1) EQ 4.1 (1) EQ 4.4 (1)

NOTE:
ALL DIM'S INCH [MM]
ILLUSTRATION FOR REF ONLY AND NTS

PRODUCT OVERVIEW

Holds and dispenses one (1) package of C-fold paper towels. Paper towels are dispensed manually through flap doors until supply is depleted. A spring actuated towel carrier mechanism maintains towel dispensing pressure. Dispenser is refilled by pushing paper towels downward through flap doors.

KEY FEATURES & SPECIFICATIONS

- Spring actuated mechanism maintains dispensing pressure
- Type 304 Stainless Steel - Satin Finish
- Counter Mounted
- Pull Type
- 1 pack of C-Fold towels



Model #1002

Technical Data Sheet

OPERATION & MAINTENANCE

Paper towels are dispensed manually through flap doors until supply is depleted. A spring actuated towel carrier mechanism maintains towel dispensing pressure. Dispenser is refilled by pushing paper towels downward through flap doors. Supply is replenished on a cycle determined by maintenance needs.

TECHNICAL INFORMATION / PRODUCT PROPERTIES

Property	Value
Dimensions	14-1/4" [362] W x 6" [152] H x 3/32" [2] D
Construction	Type 304 Stainless Steel - Satin Finish
Power	N/A
Operation	Manual - Pull Type
Mounting	Counter Mounted
Capacity	1 pack of C-Fold towels

INSTALLATION

Position unit into appropriate counter top cutout (by others). Installer to bend mounting straps upward to suit counter top thickness. Secure mounting straps to underside of counter top with mounting screws (by others).

Counter Top Opening required is 4-1/4" [108] x 12-1/2" [318]

WARRANTY

One (1) Year from date of Invoice